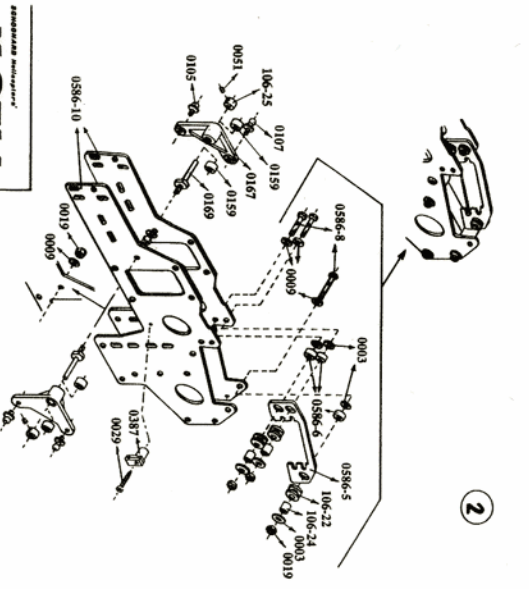
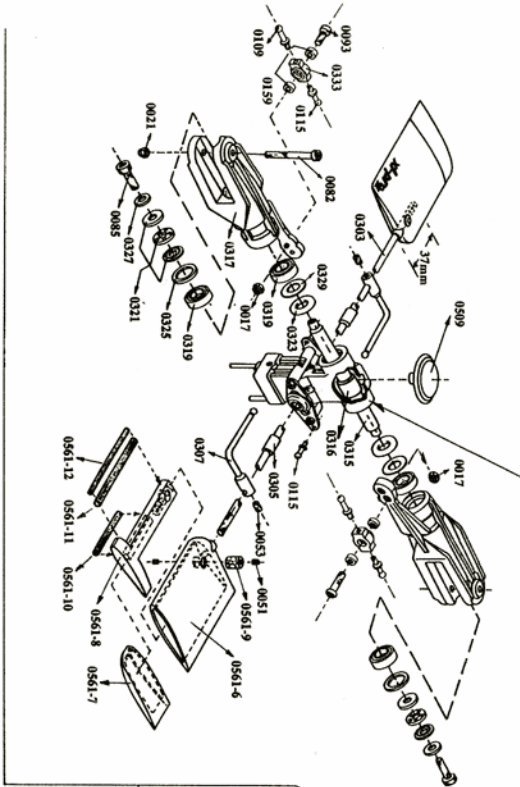
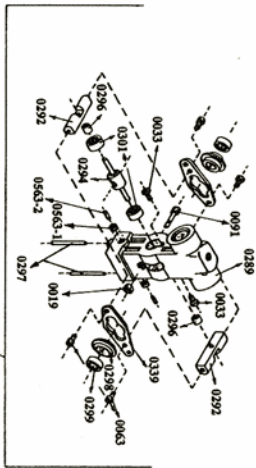
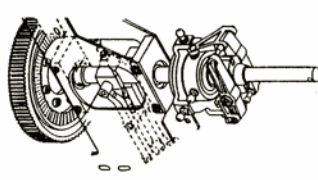


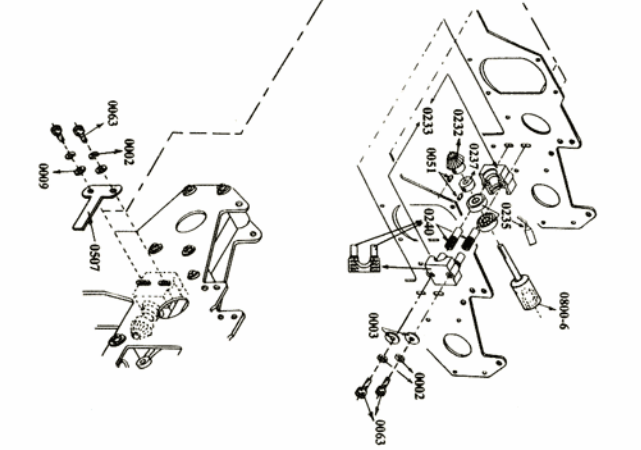
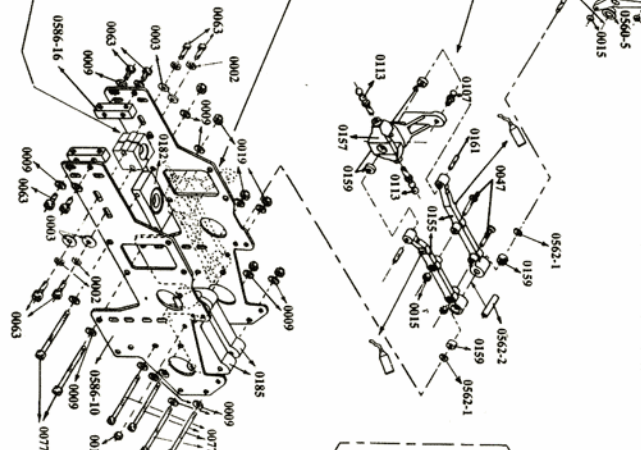
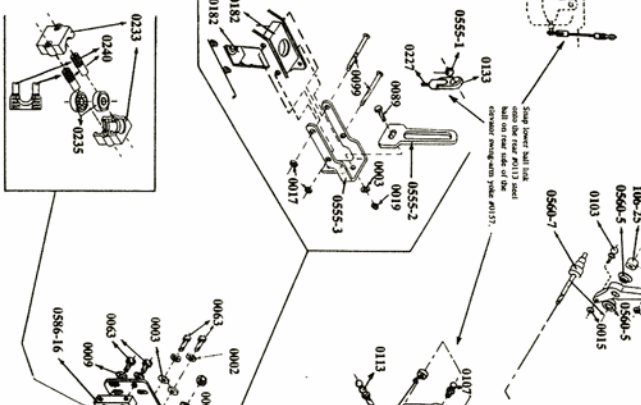
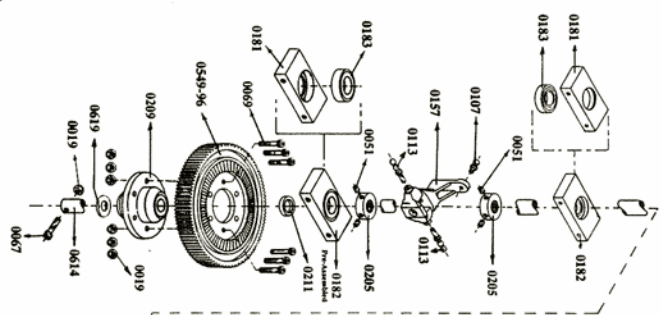
1



2



3



**X-CELL**  
46 graphite

miniature aircraft use

1995 Copyright by Schenck  
3743 Silver Star Road  
Ocala, Florida 32068  
Phone 407-232-4500  
Fax 407-232-4500





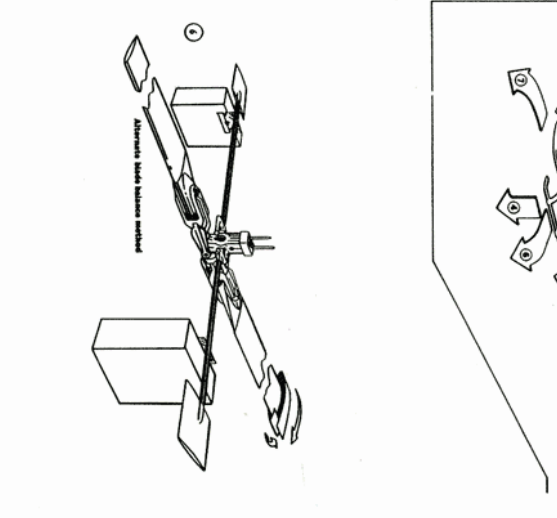
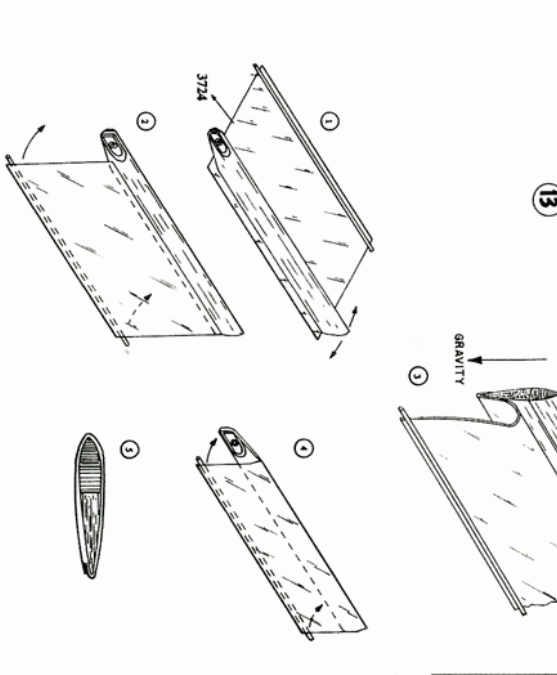
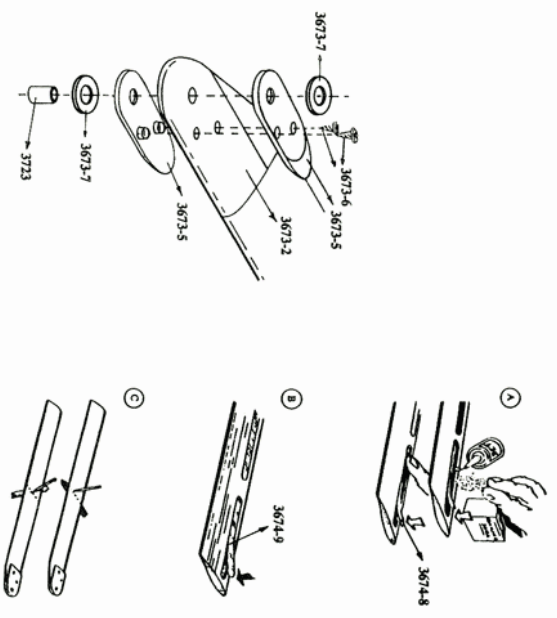
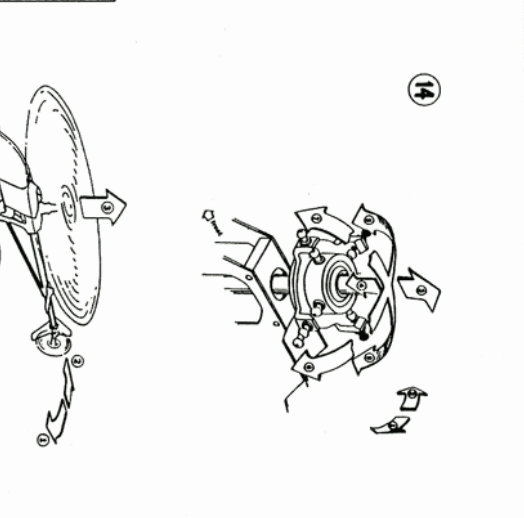
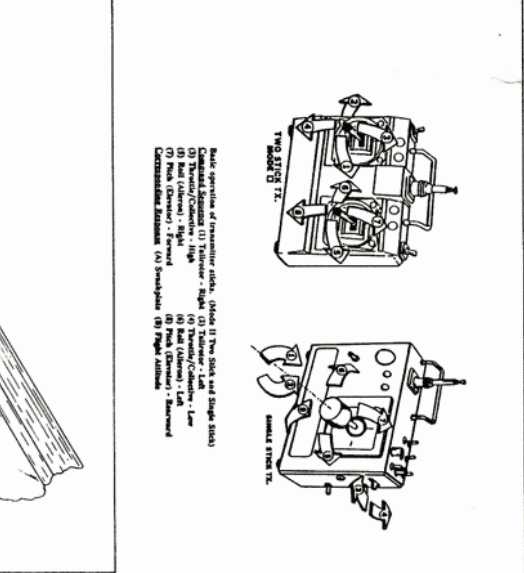
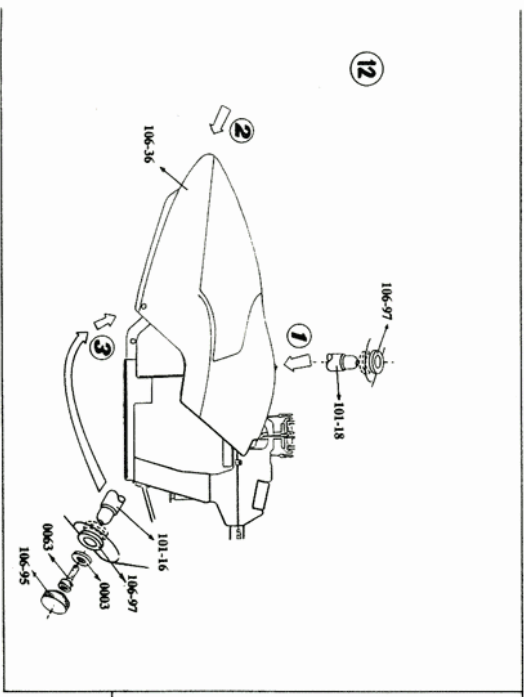


SCHOONARD's  
**X-CELL**  
.46 Graphite



**miniature aircraft USA**

1995 - Copyright by Schoonard's  
3743 Silver Star Road  
Orlando, Florida 32808  
Phone 407-292-4267  
FAX 407-292-4296



Basic operation of transmitter radio. (Refer to Two Sites and Single Sites)  
Channel Selection (1) Tailwheel - Right (2) Tailwheel - Left  
(3) Motor - Right (4) Motor - Left  
(5) Roll (Yaw) - Right (6) Roll (Yaw) - Left  
(7) Pitch (Climb) - Forward (8) Pitch (Climb) - Reverse  
(9) Flaps (Extension) (10) Flaps (Retraction) (11) Power (On/Off)