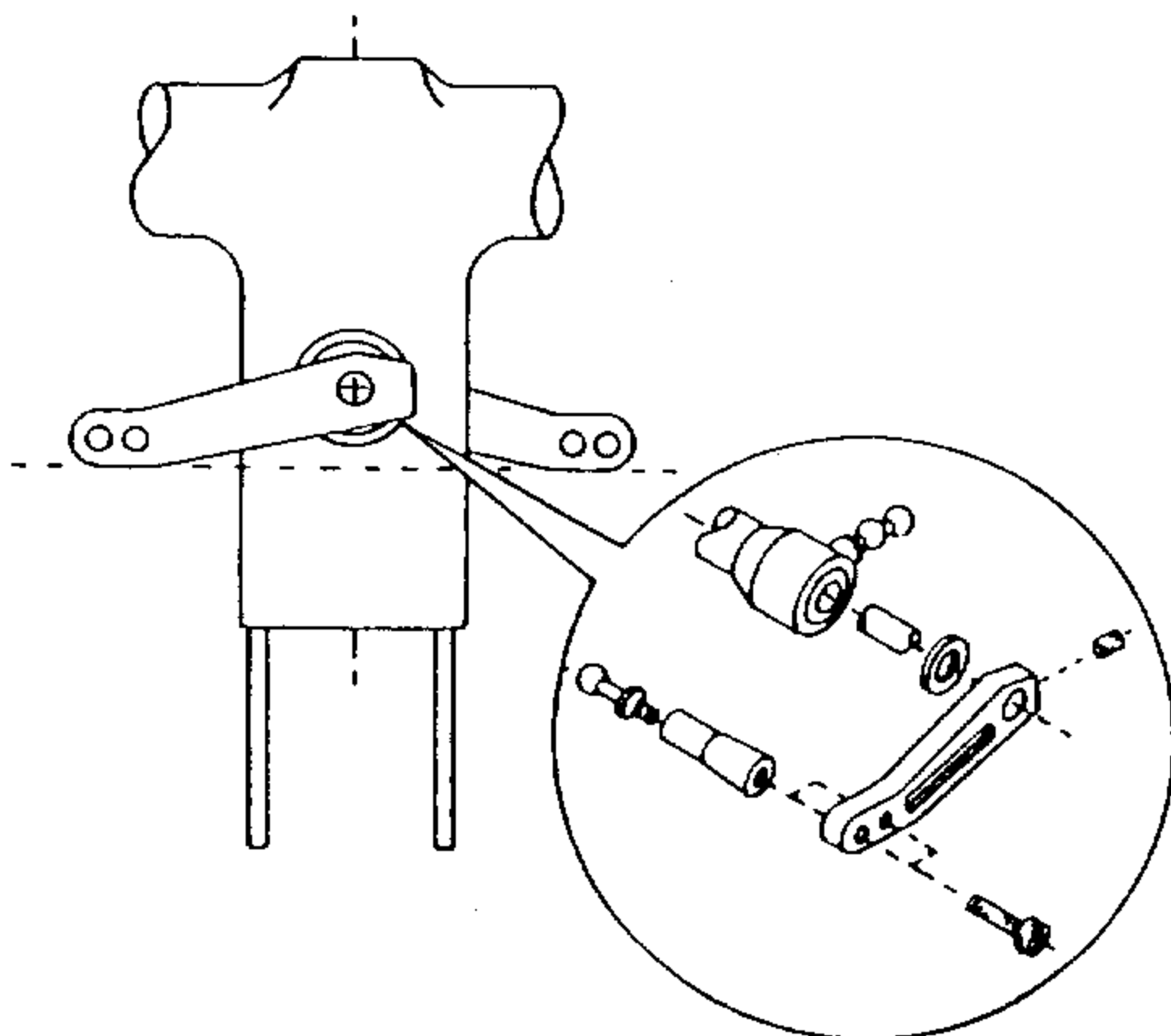
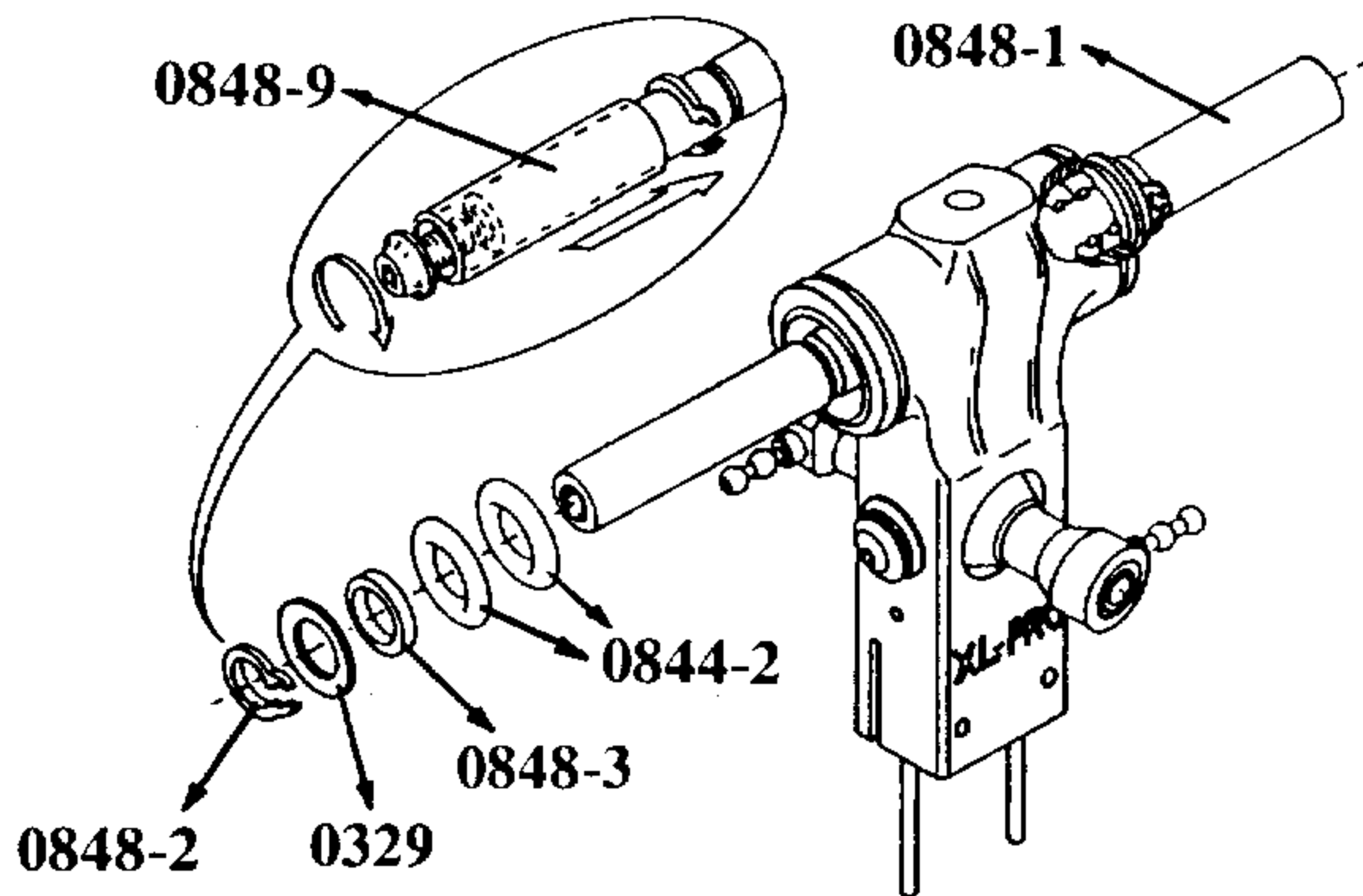
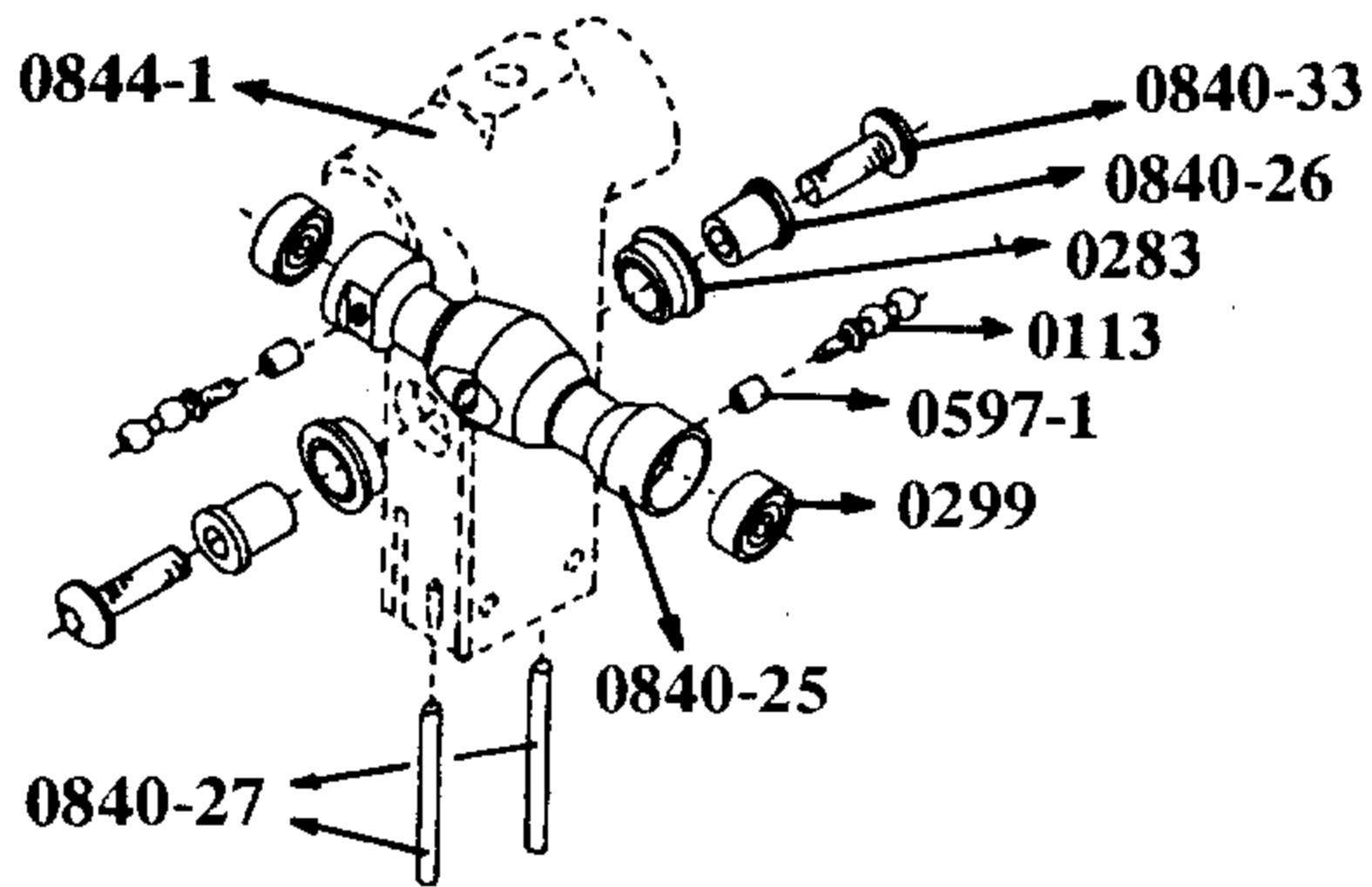
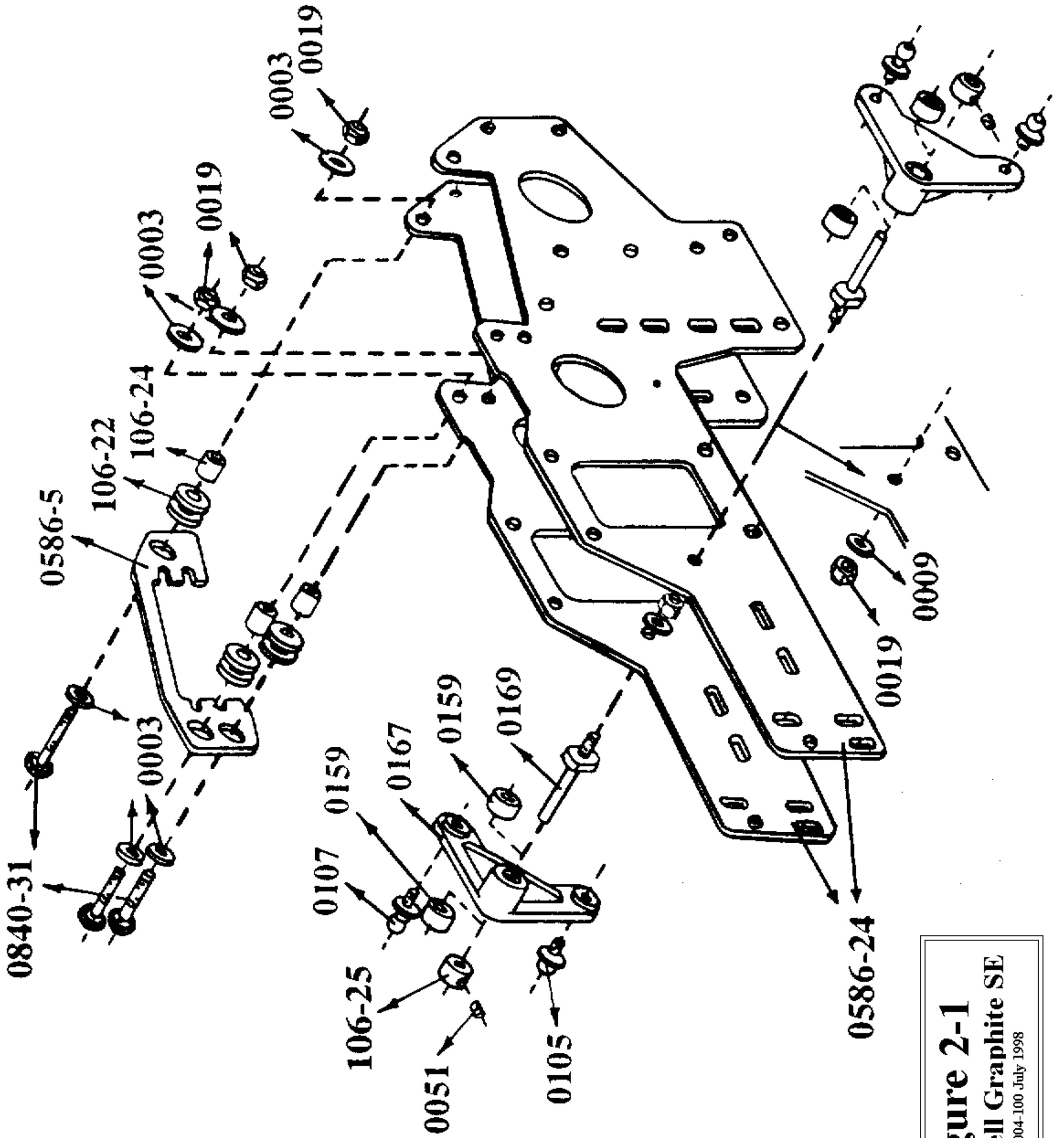


**Figure 1-1**  
**XCell Graphite SE**  
 Part # 1004-100 July 1998

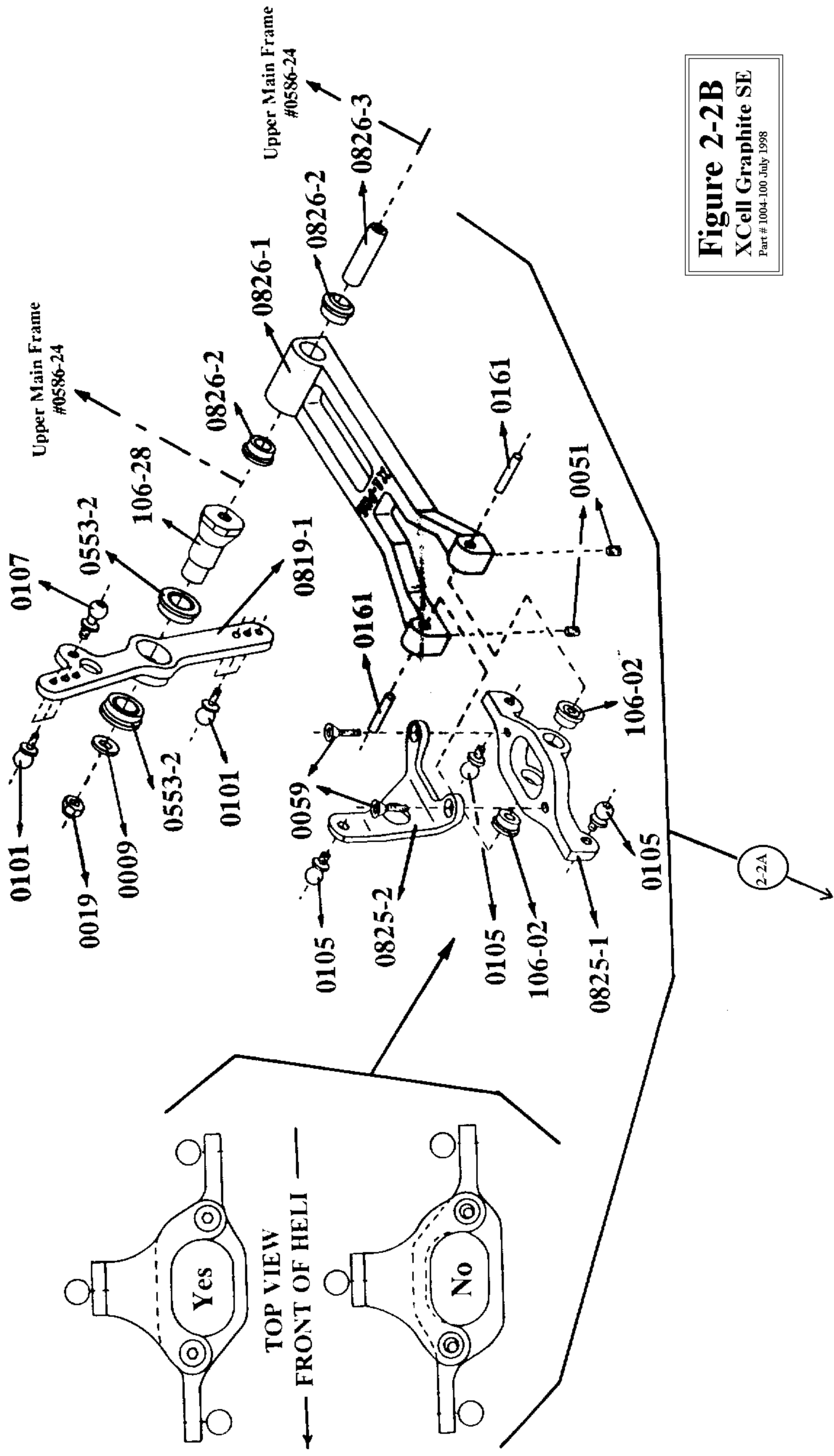


**Figure 1-2**  
**XCell Graphite SE**  
 Part # 1004-100 July 1998



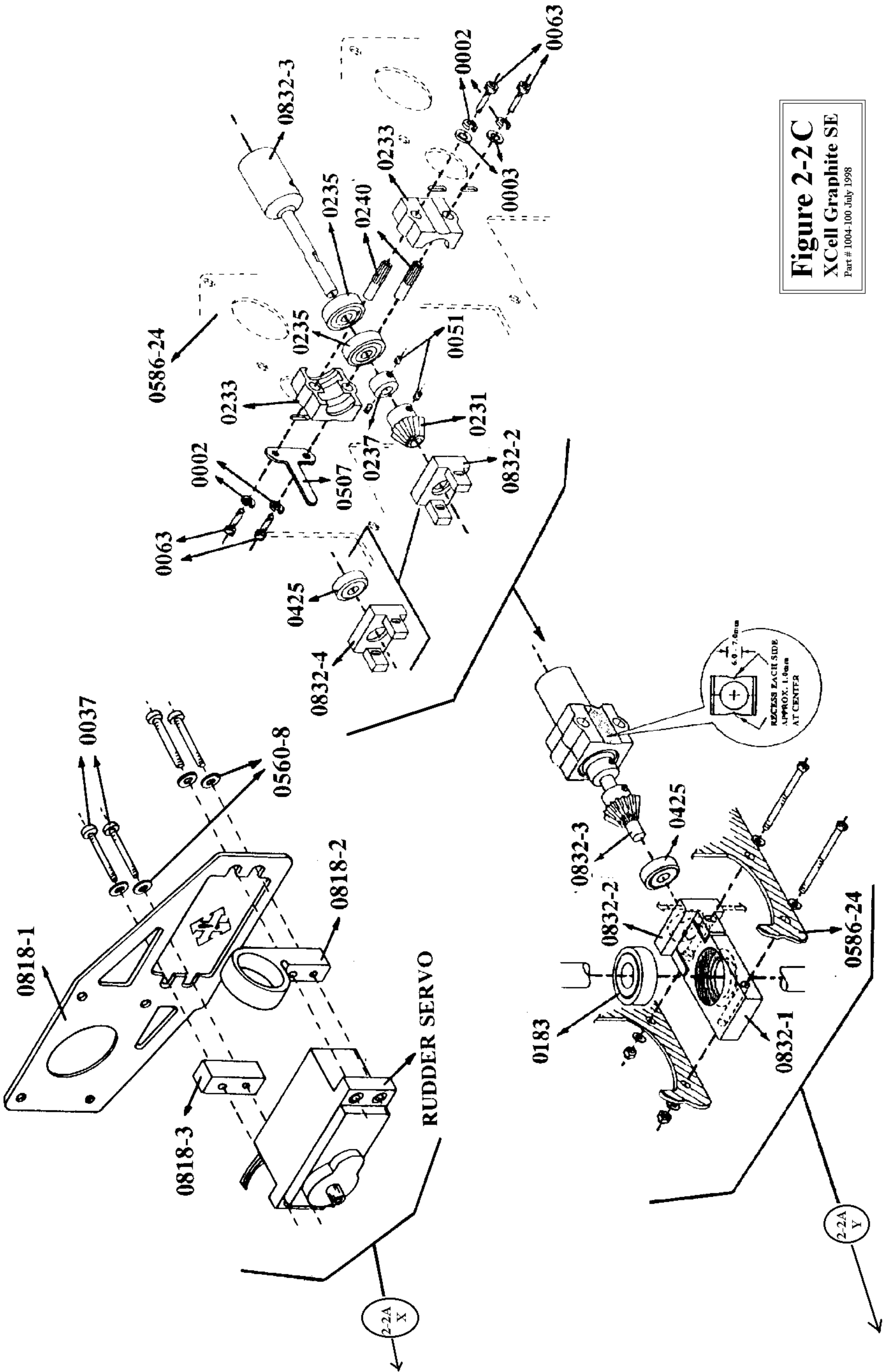
**Figure 2-1**  
 XCell Graphite SE  
 Part # 1004-100 July 1998

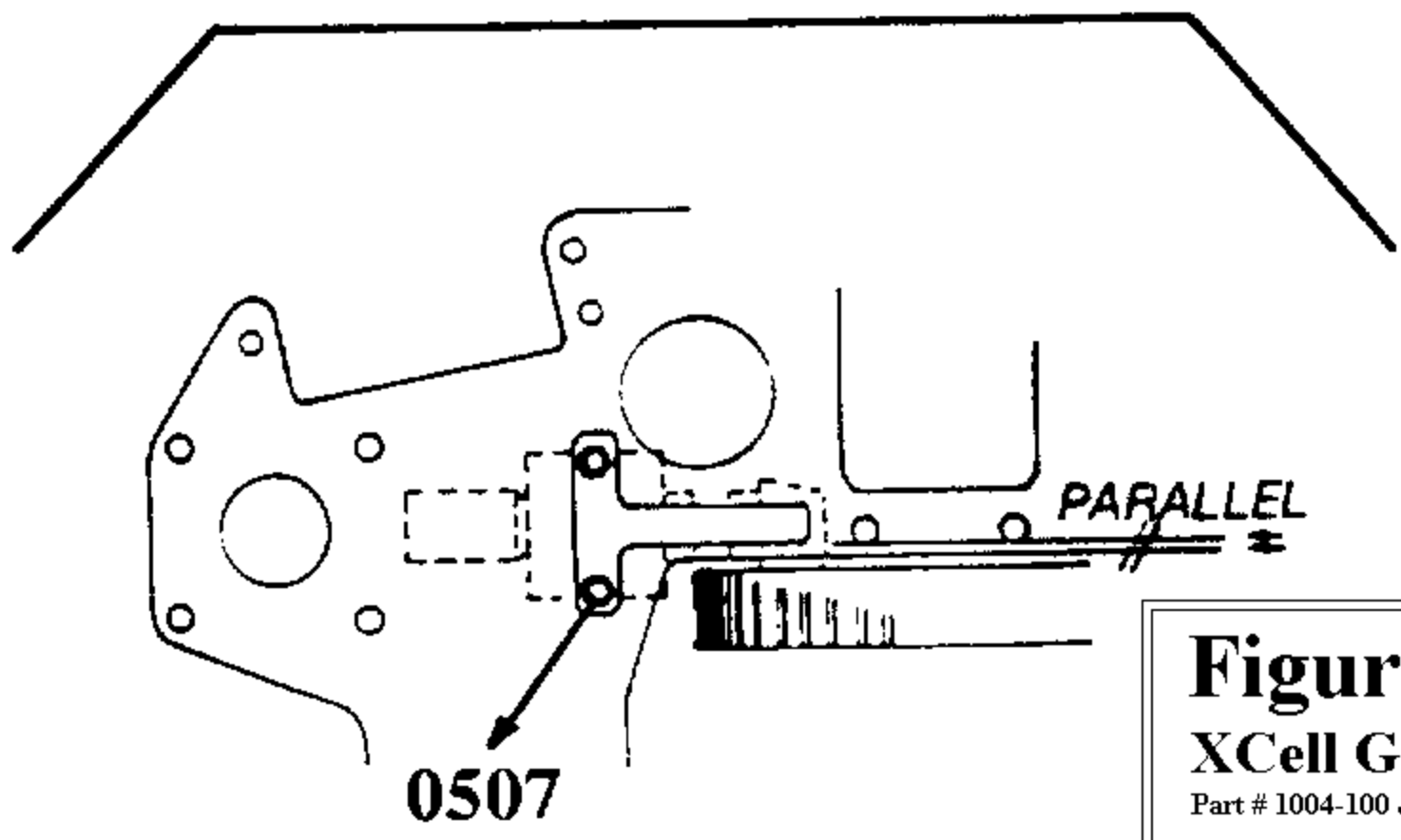
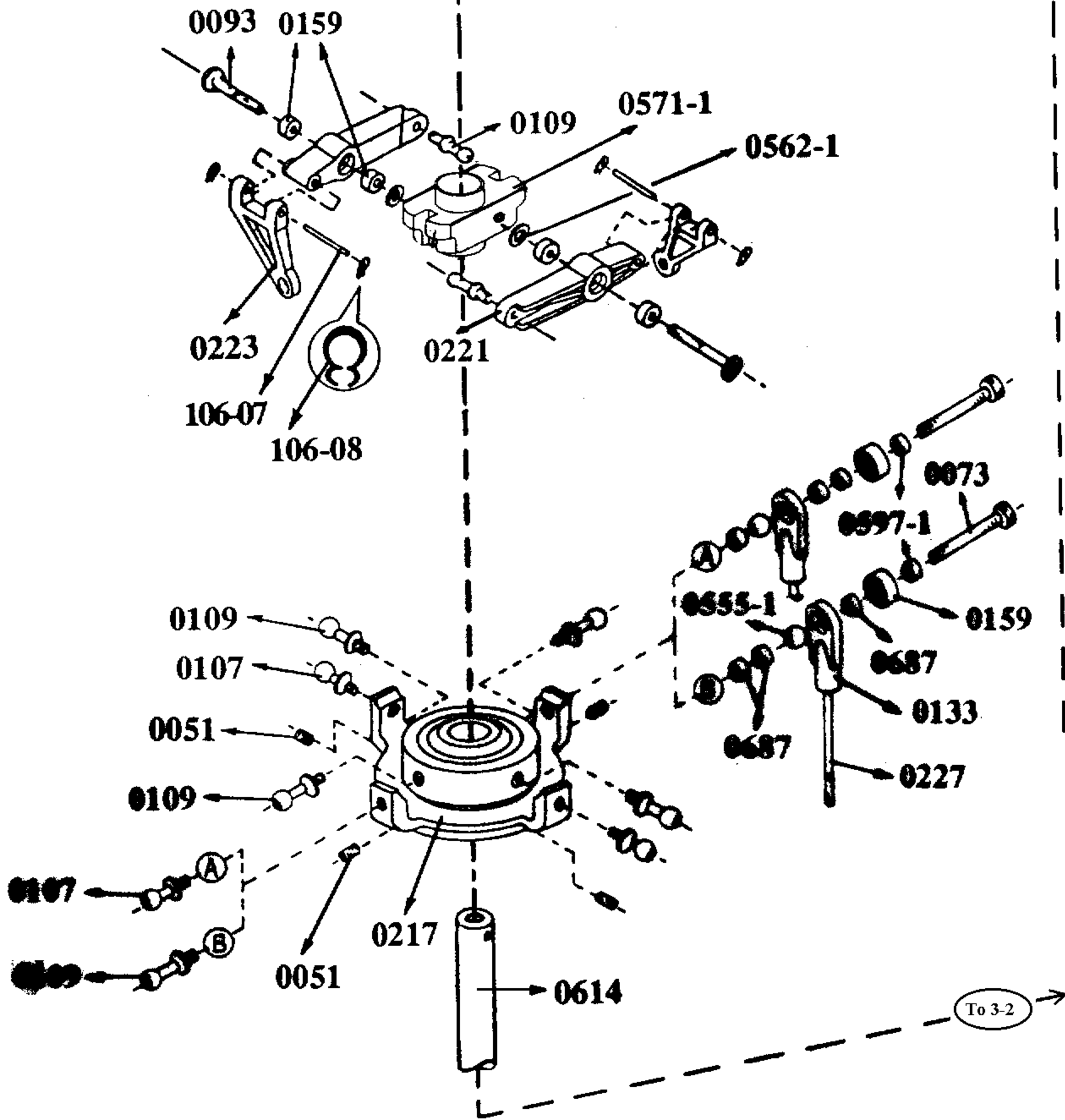




**Figure 2-2B**  
**XCell Graphite SE**  
 Part # 1004-100 July 1998

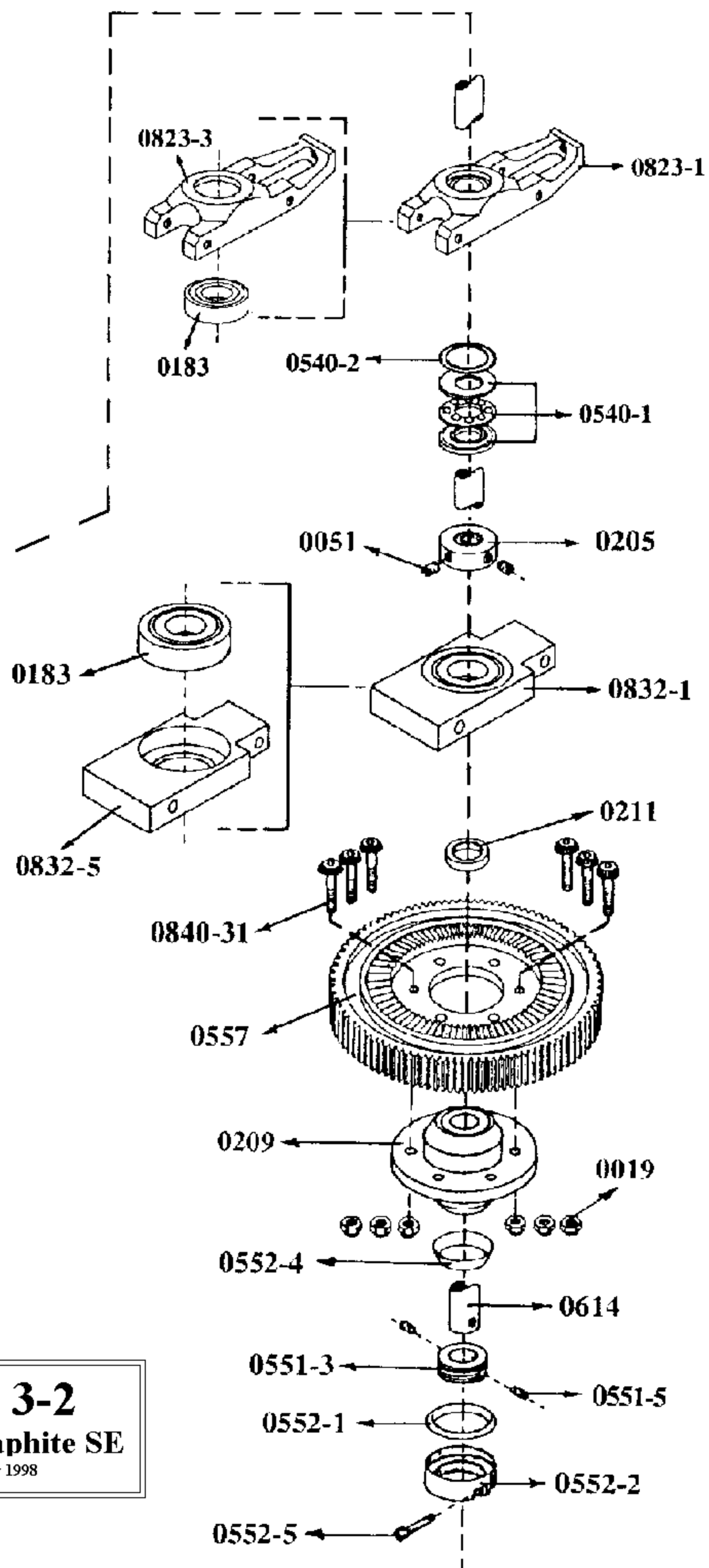
**Figure 2-2 C**  
**XCell Graphite SE**  
 Part # 1004-100 July 1998





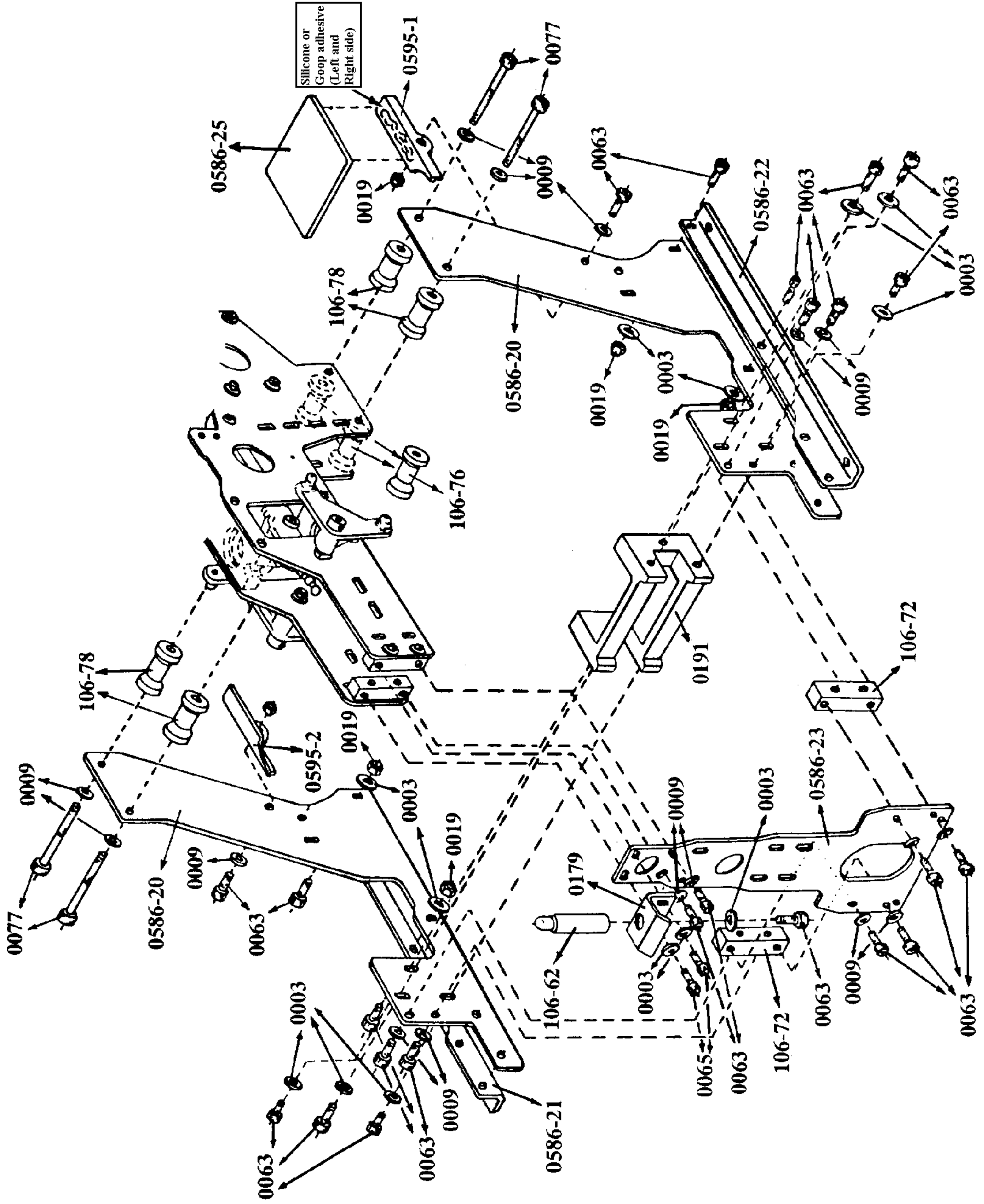
**Figure 3-1**  
 XCell Graphite SE  
 Part # 1004-100 July 1998

From 3-1

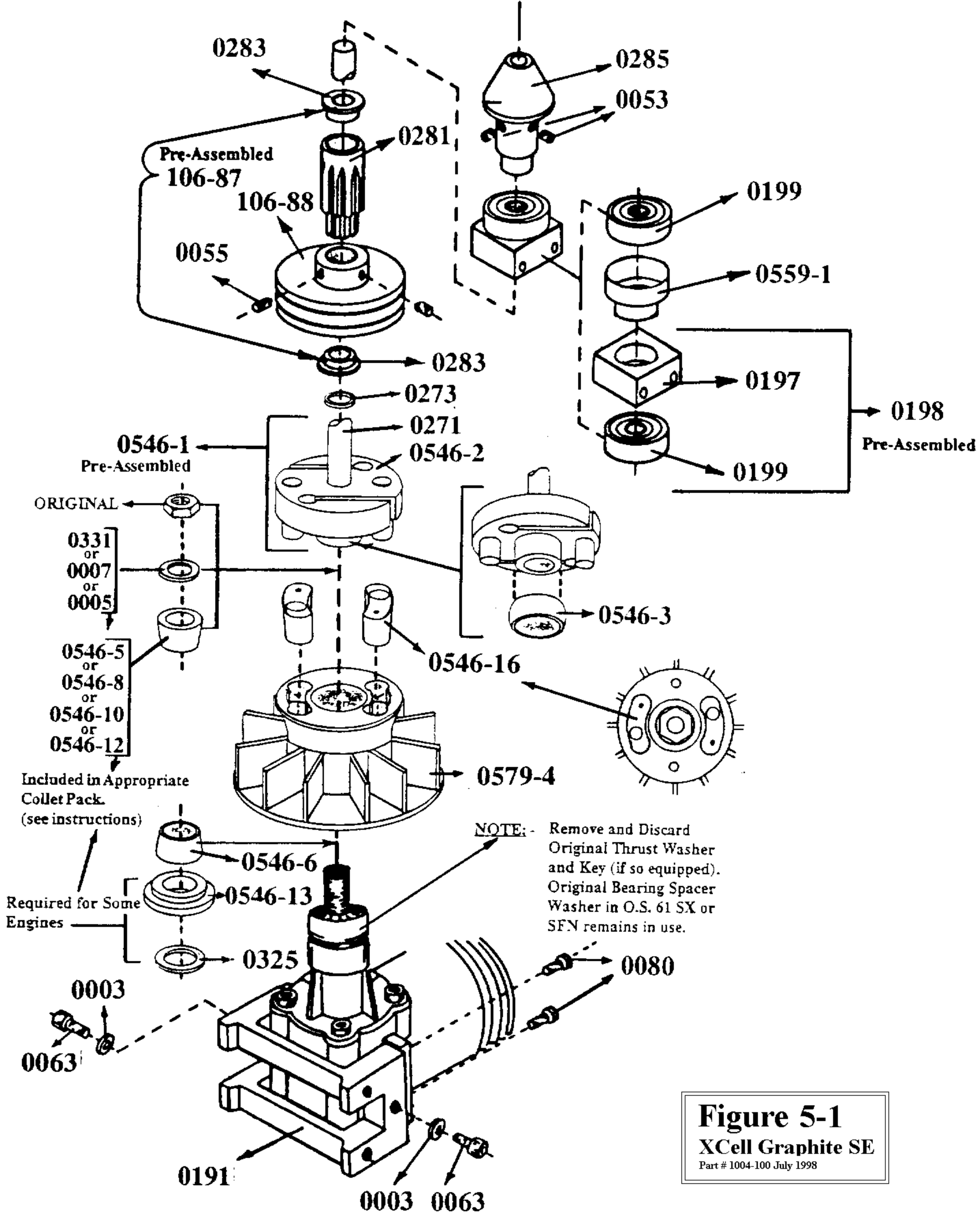


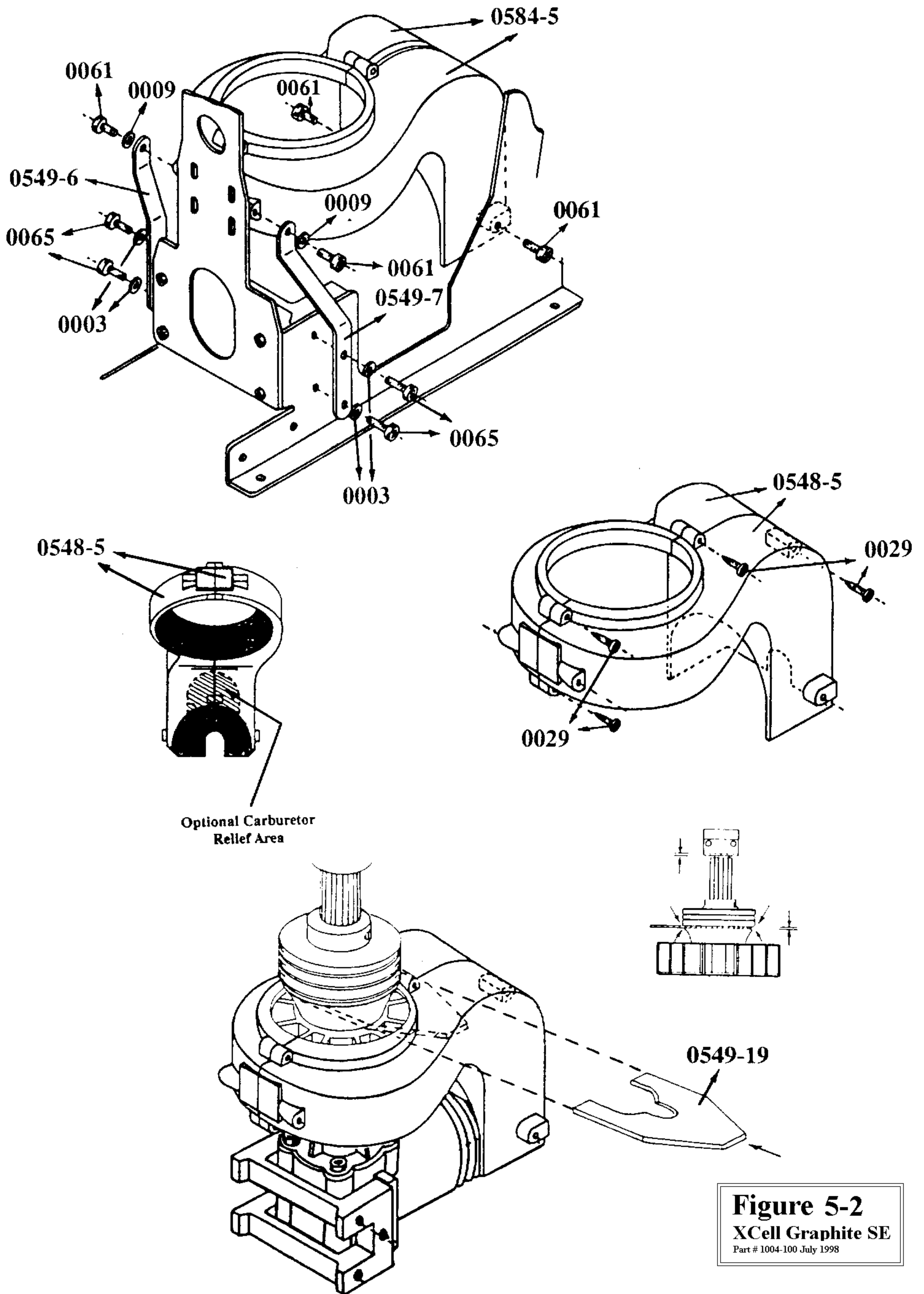
**Figure 3-2**  
**XCell Graphite SE**  
Part # 1004-100 July 1998



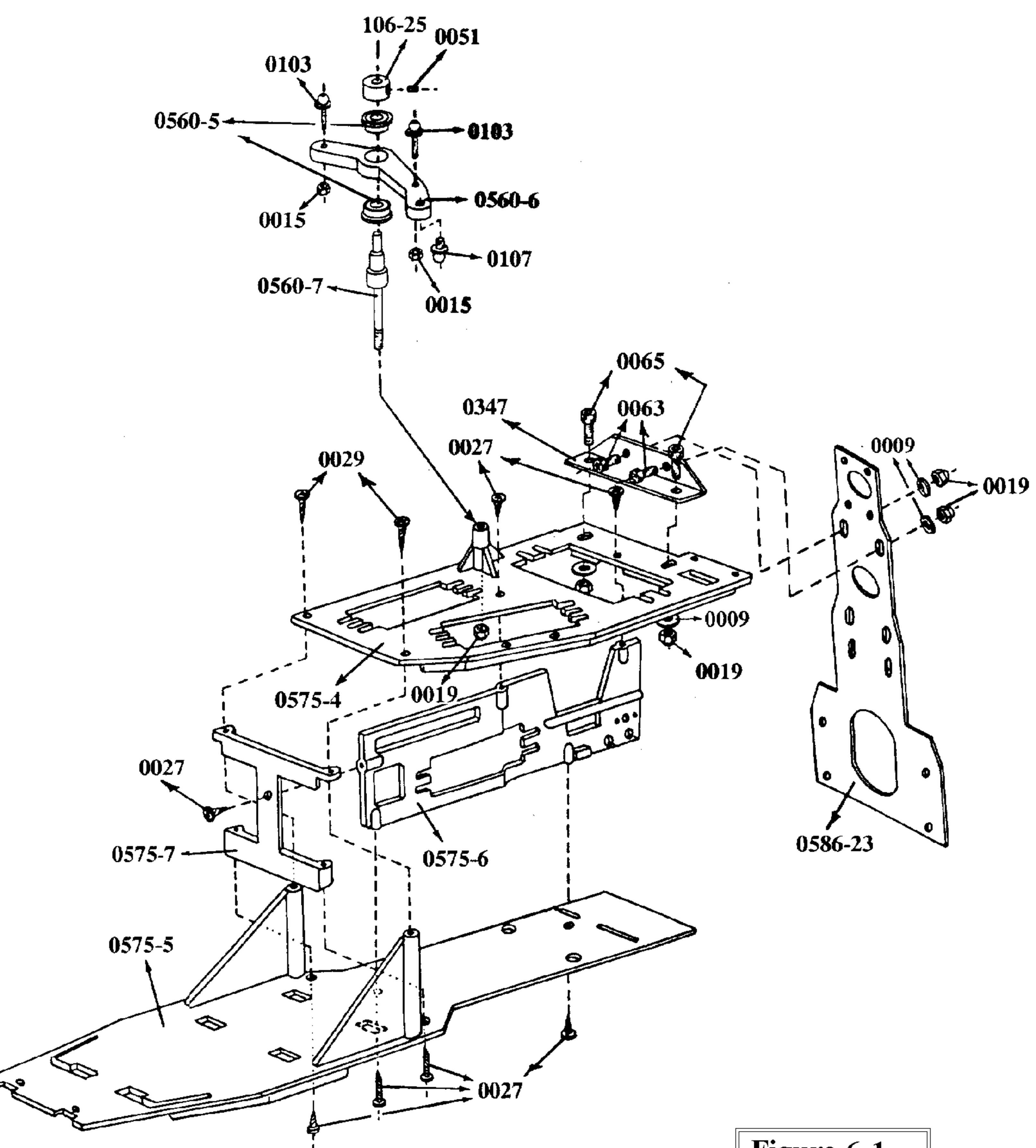


**Figure 4**  
**XCell Graphite SE**  
 Part # 1004-100 July 1998

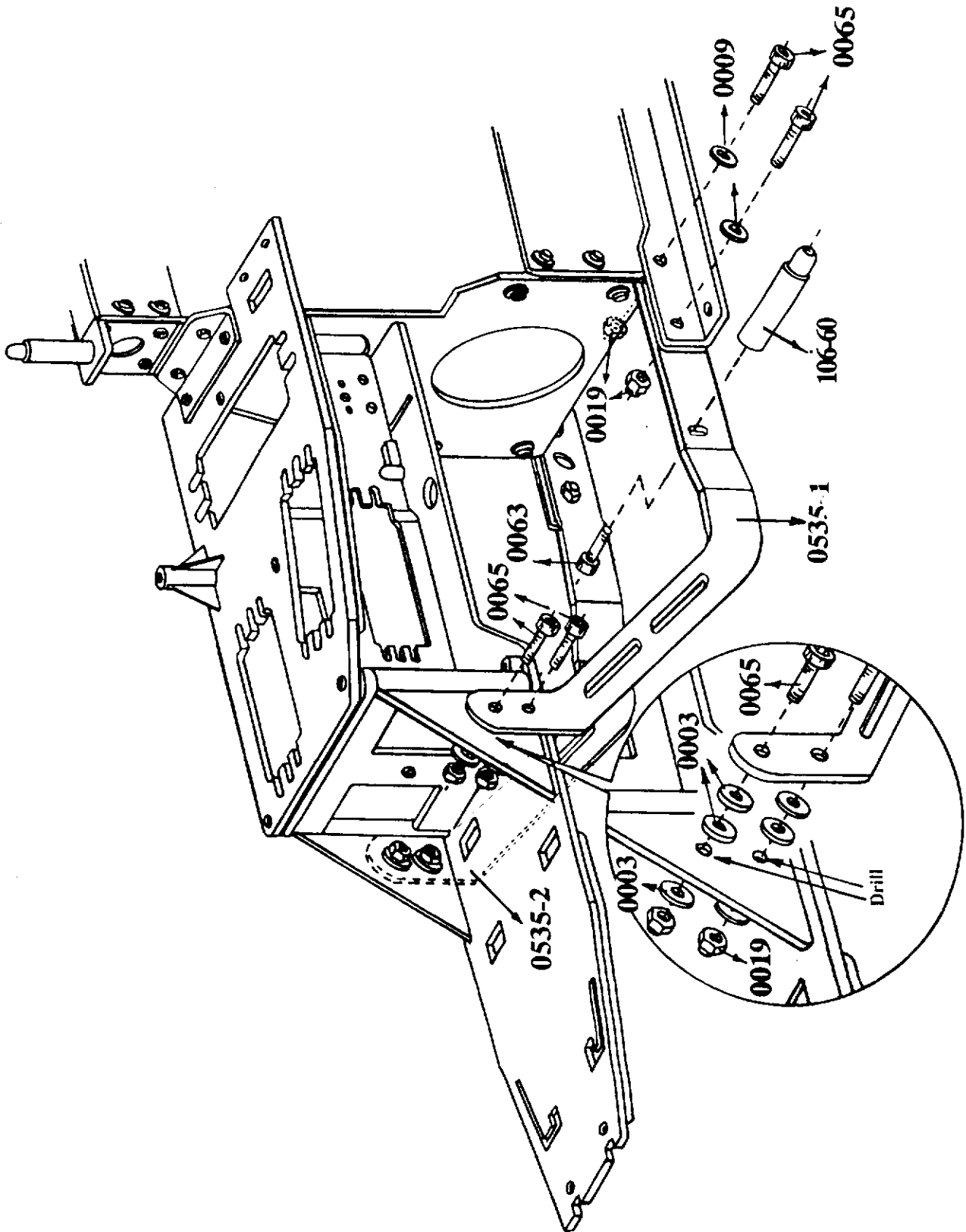


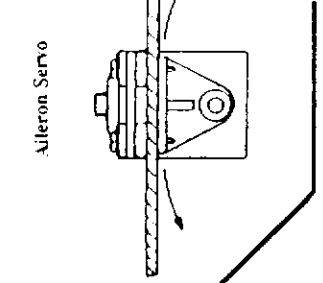
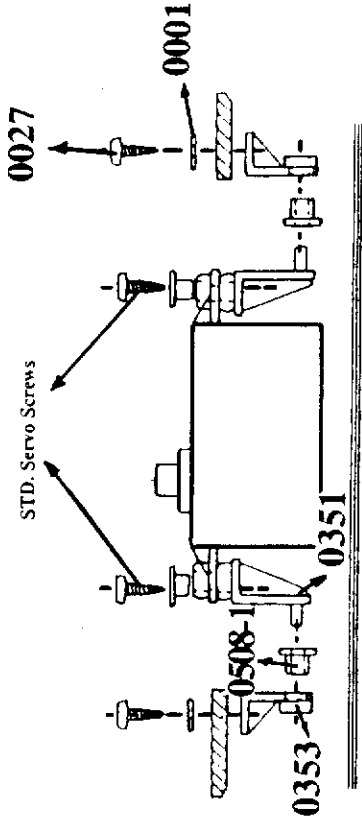


**Figure 5-2**  
**XCell Graphite SE**  
 Part # 1004-100 July 1998

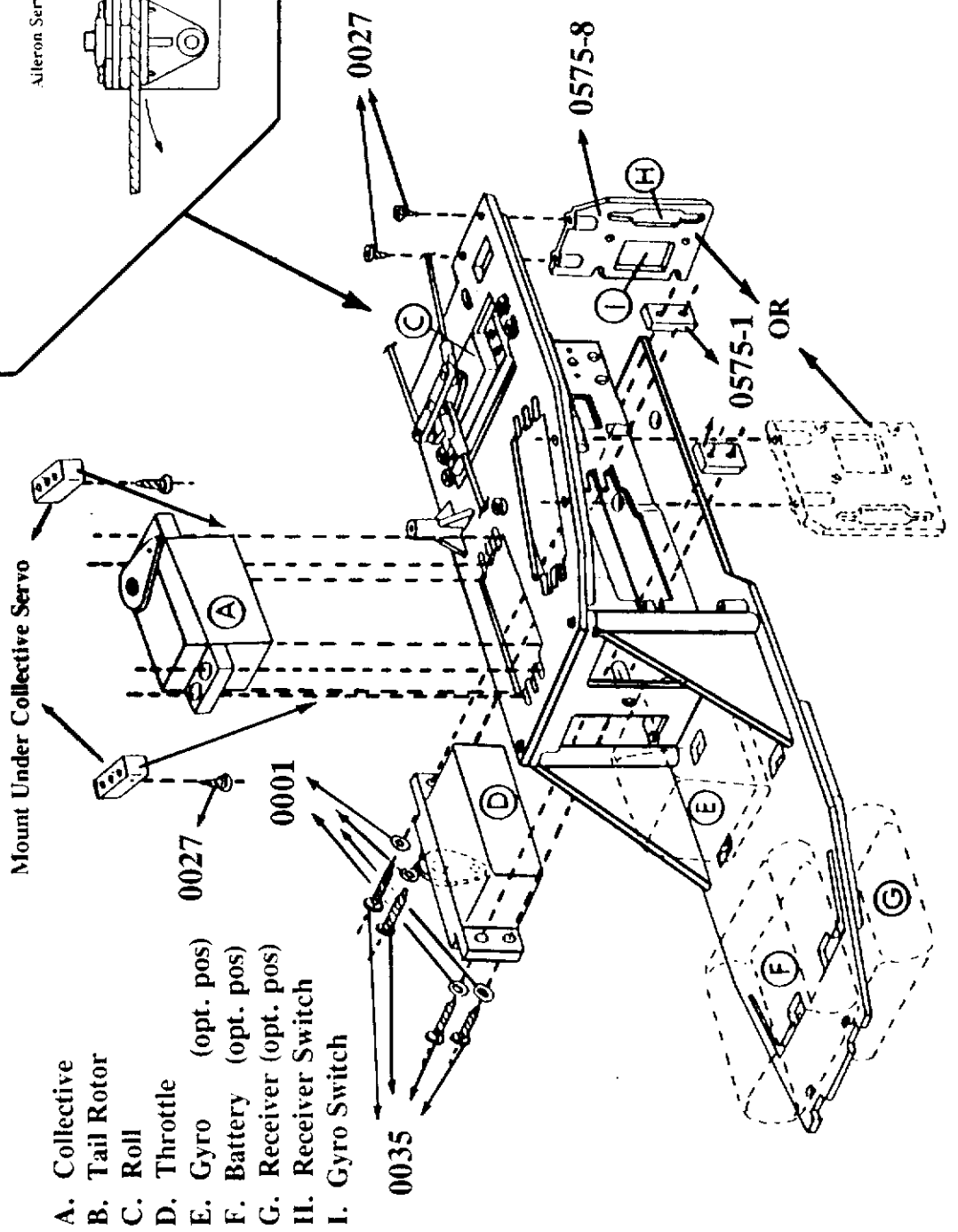


**Figure 6-1**  
**XCell Graphite SE**  
Part # 1004-100 July 1998

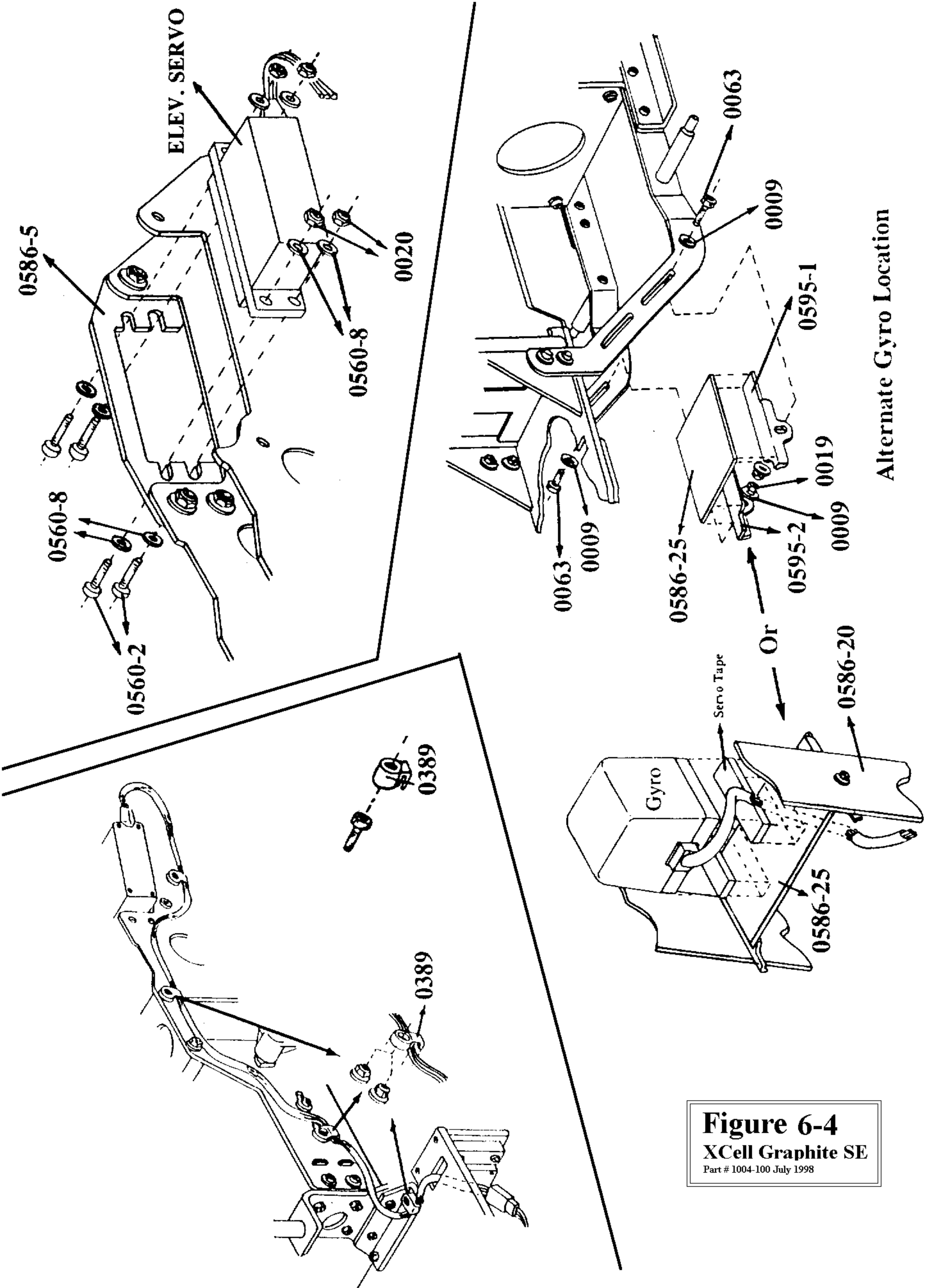




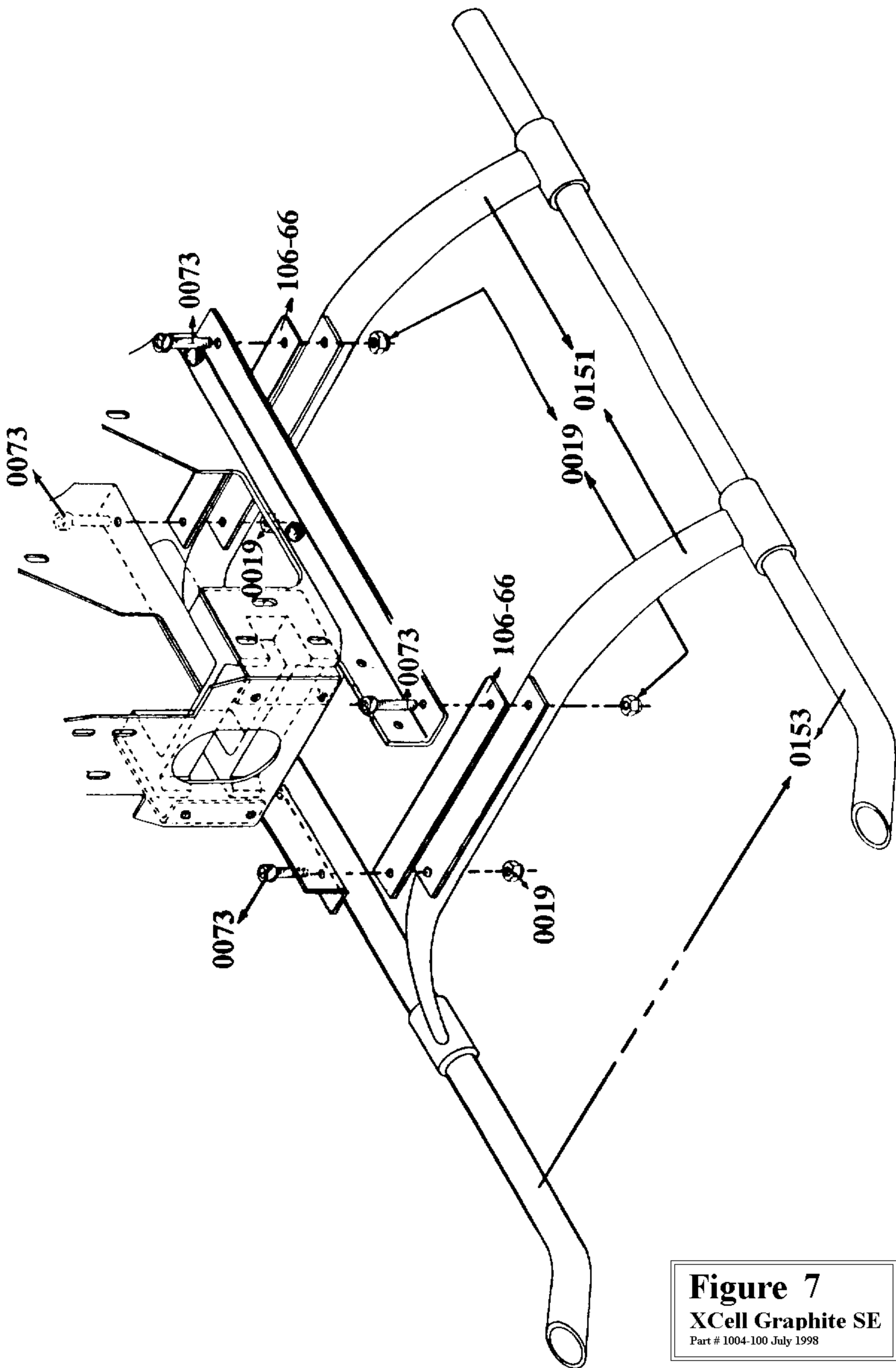
Mount Under Collective Servo



- A. Collective
- B. Tail Rotor
- C. Roll
- D. Throttle
- E. Gyro (opt. pos)
- F. Battery (opt. pos)
- G. Receiver (opt. pos)
- H. Receiver Switch
- I. Gyro Switch

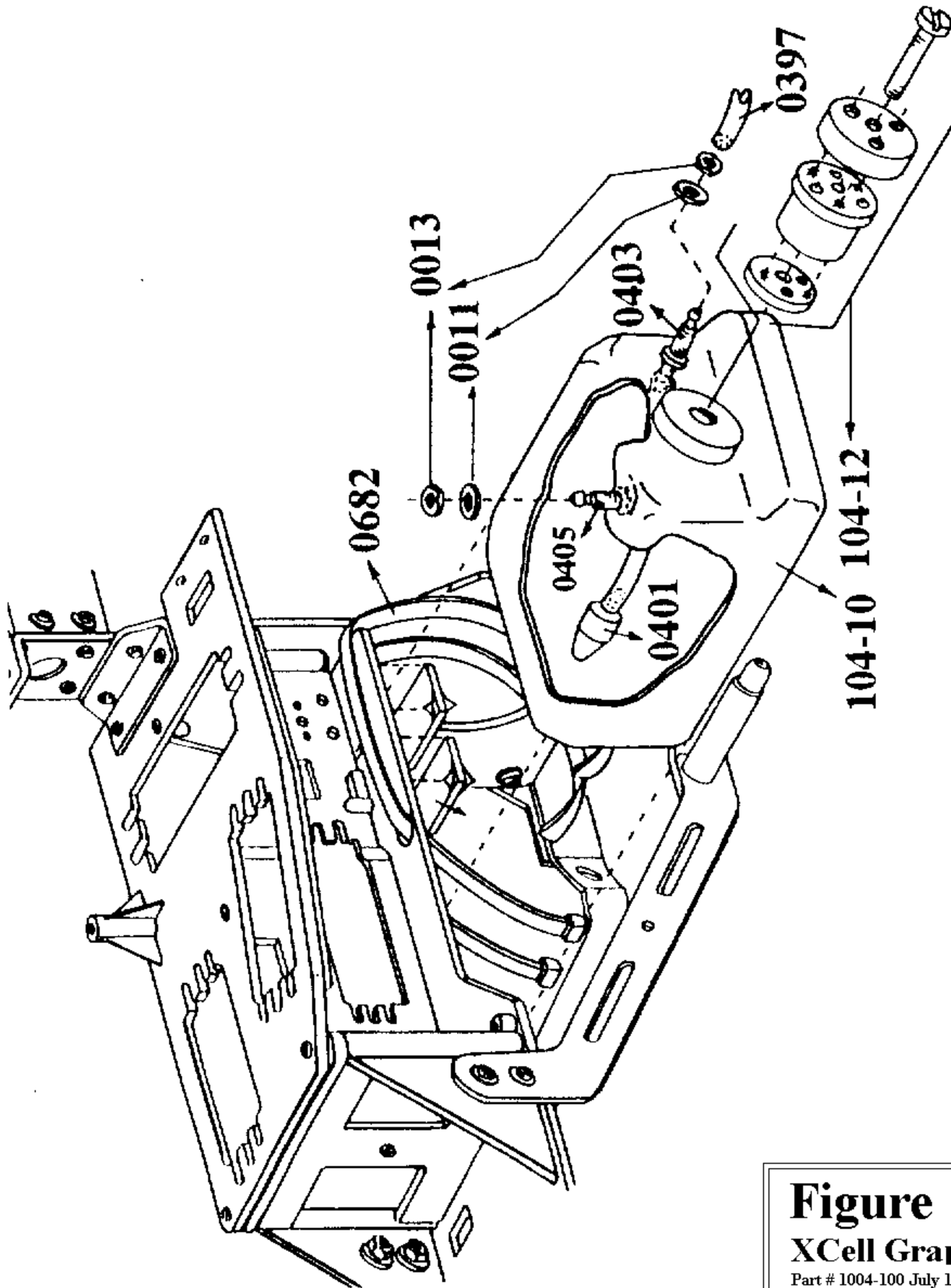


**Figure 6-4**  
**XCell Graphite SE**  
 Part # 1004-100 July 1998



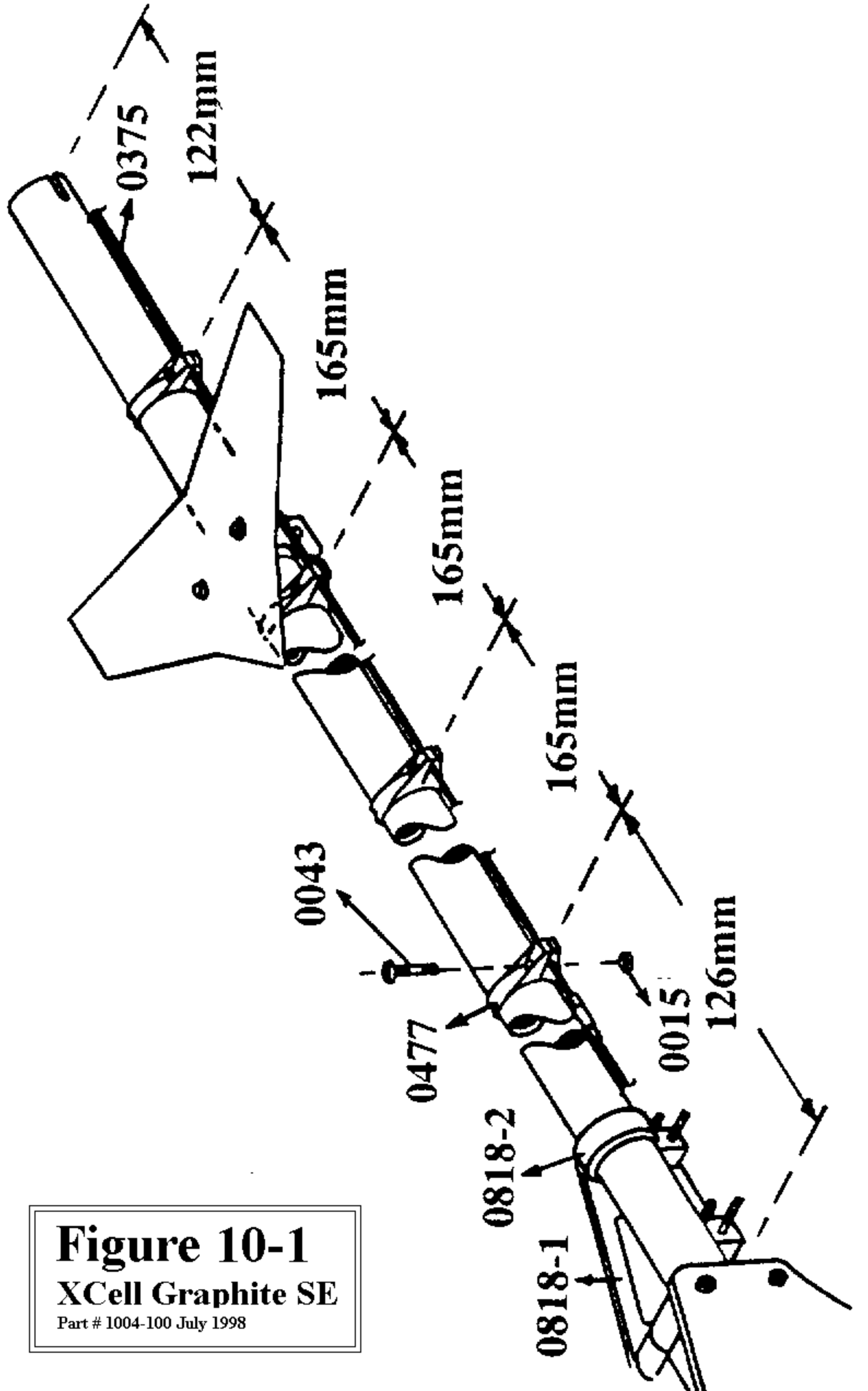
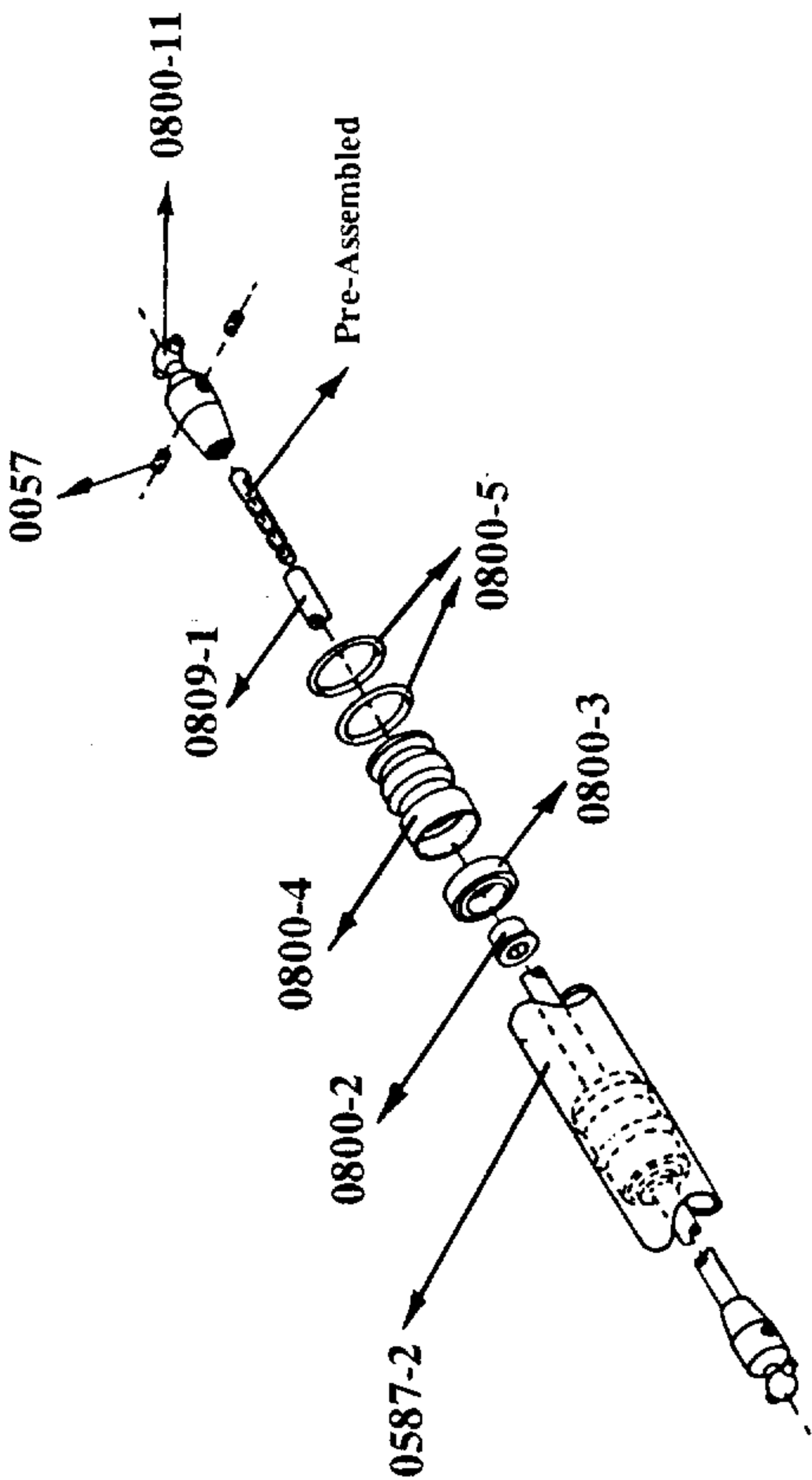
**Figure 7**  
**XCell Graphite SE**  
Part # 1004-100 July 1998



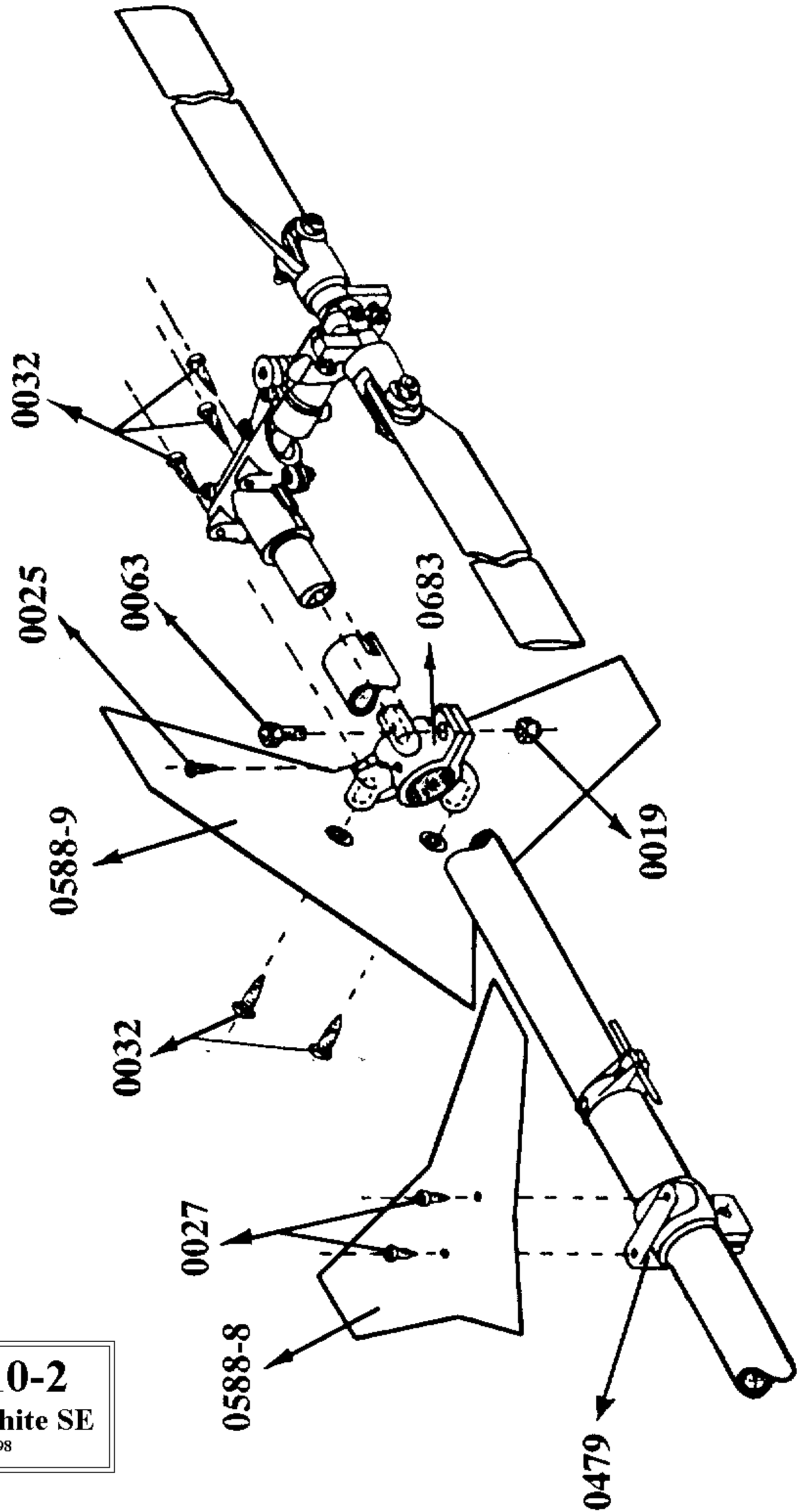


**Figure 8**  
**XCell Graphite SE**  
Part # 1004-100 July 1998

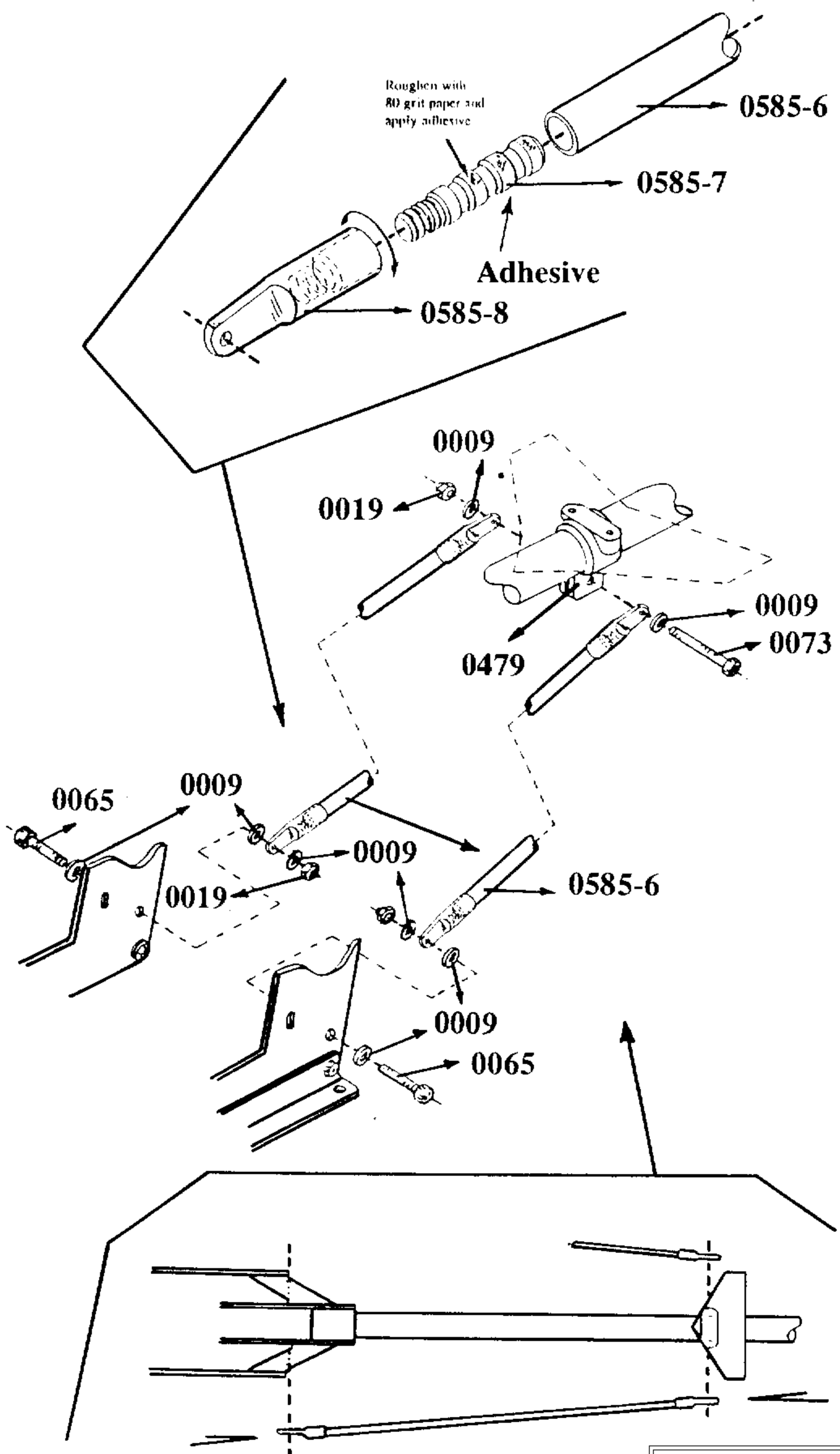




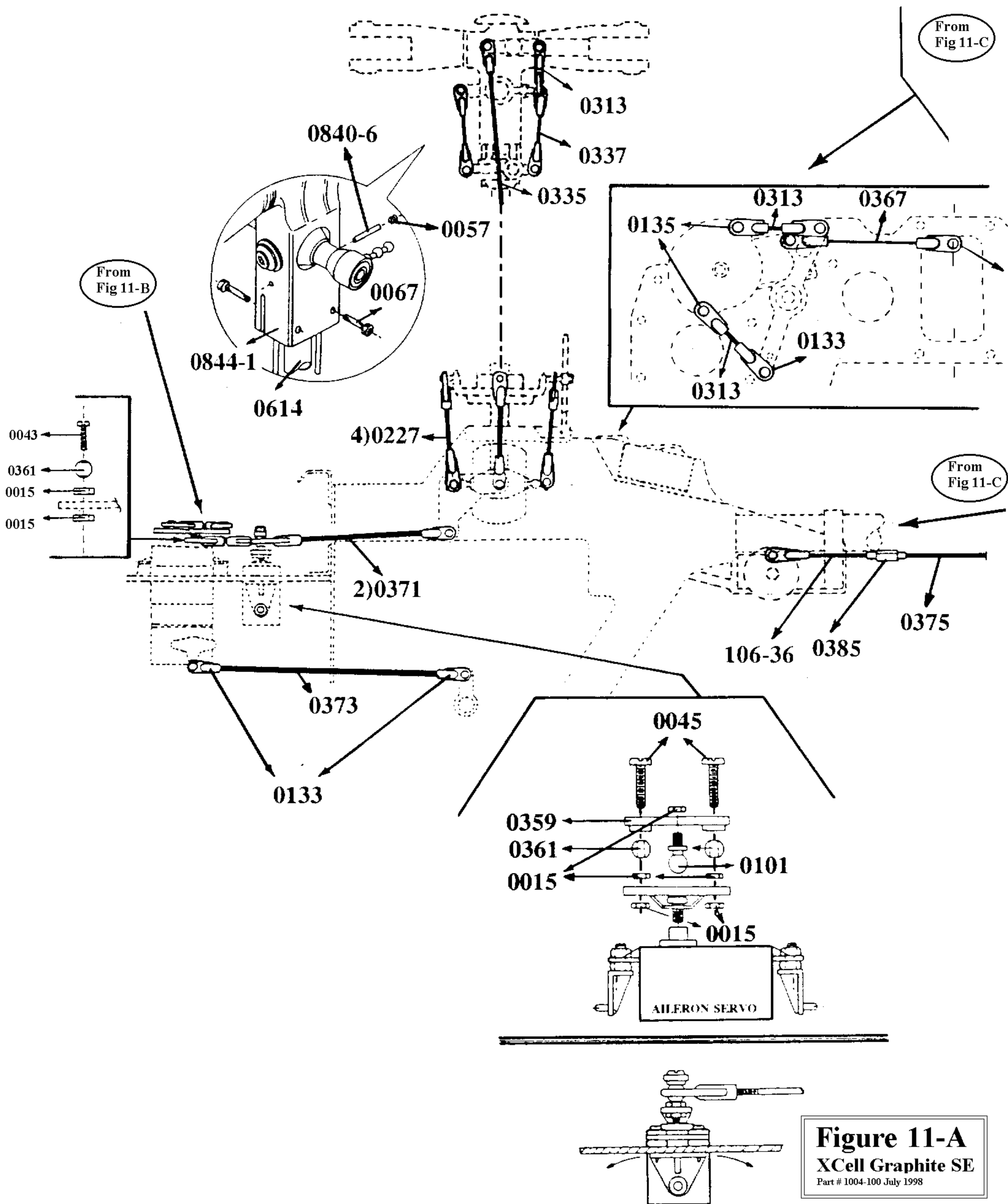
**Figure 10-1**  
 XCell Graphite SE  
 Part # 1004-100 July 1998



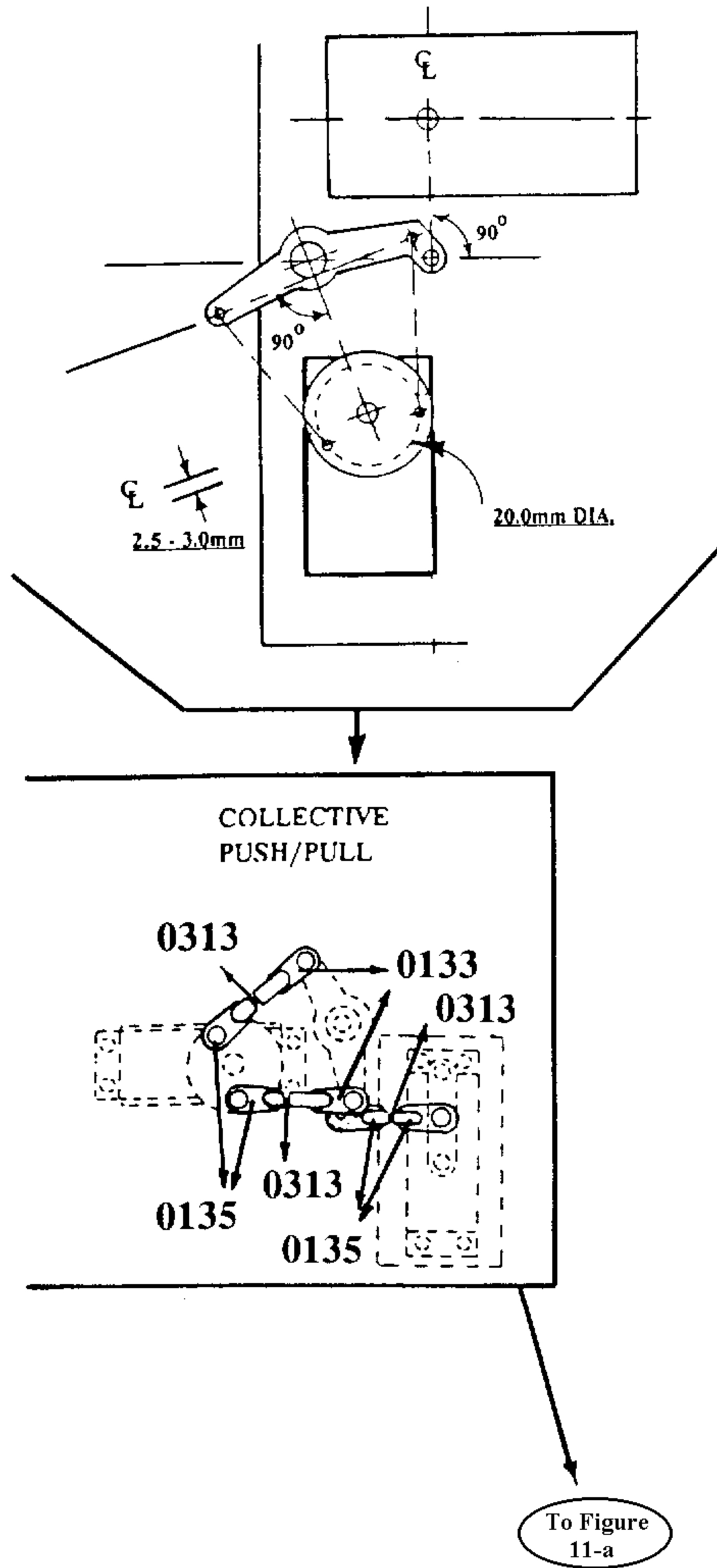
**Figure 10-2**  
**XCell Graphite SE**  
Part # 1004-100 July 1998



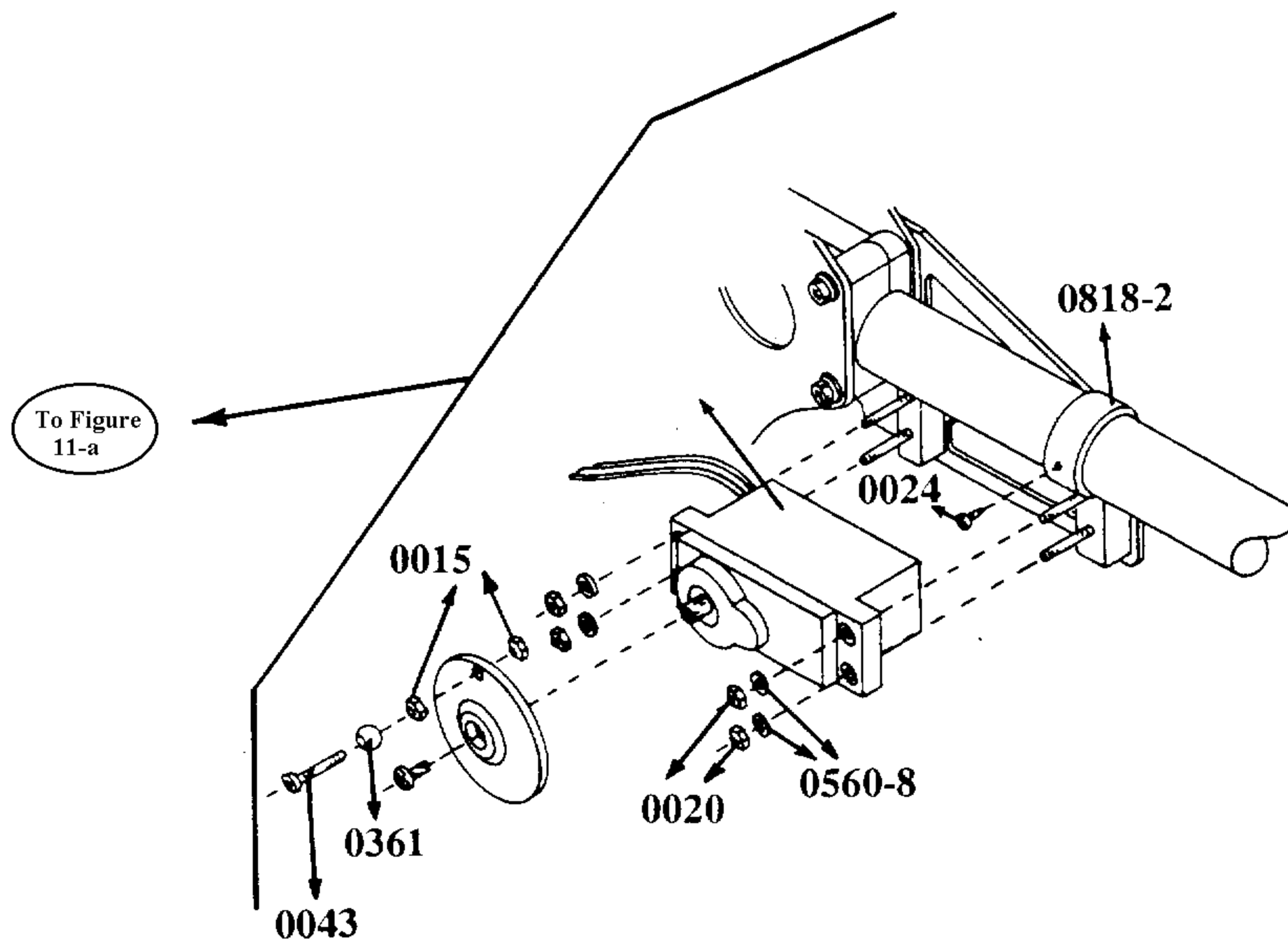
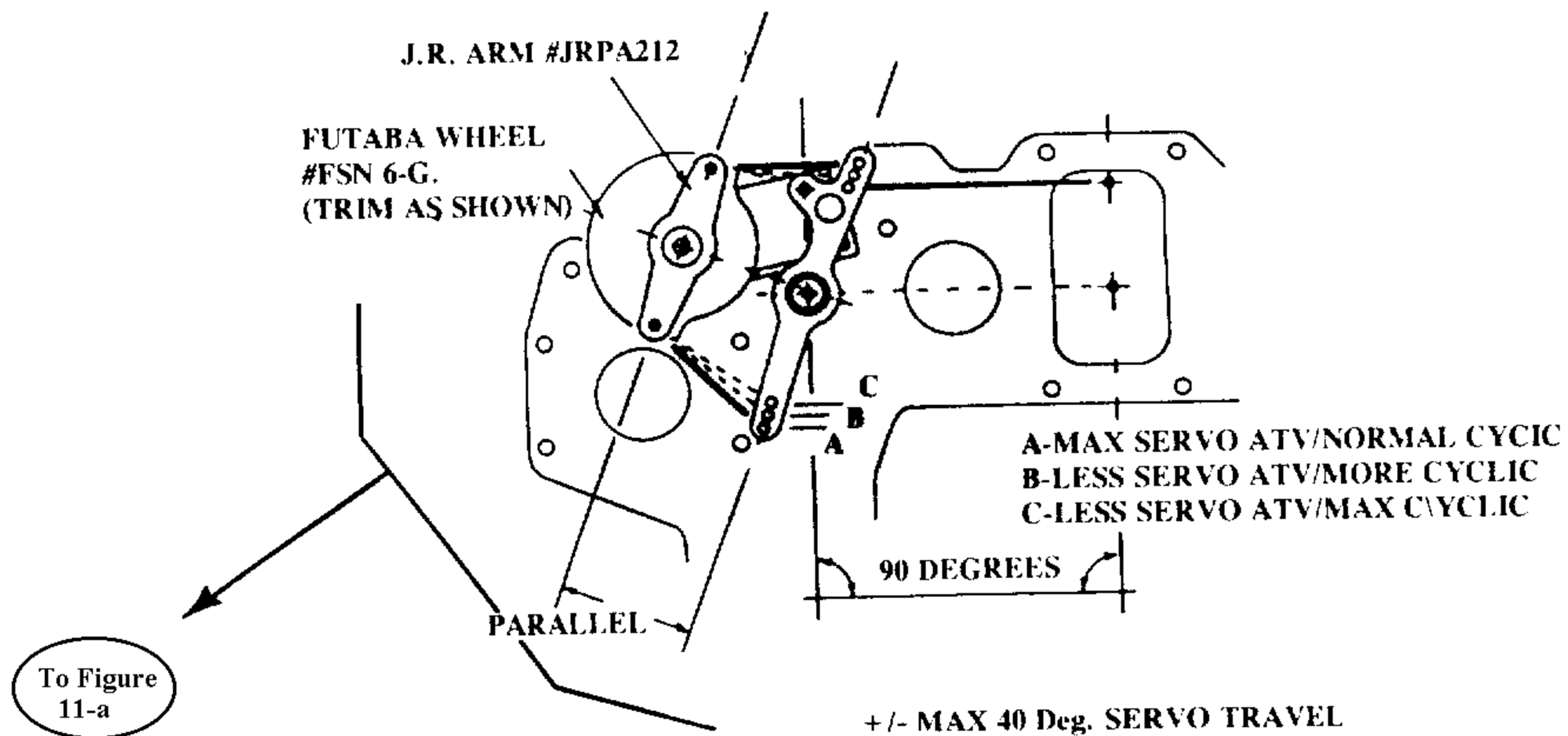
**Figure 10-3**  
**XCell Graphite SE**  
 Part # 1004-100 July 1998



**Figure 11-A**  
 XCell Graphite SE  
 Part # 1004-100 July 1998



**Figure 11-b**  
**XCell Graphite SE**  
 Part # 1004-100 July 1998



**Figure 11-c**  
XCell Graphite SE  
Part # 1004-100 July 1998



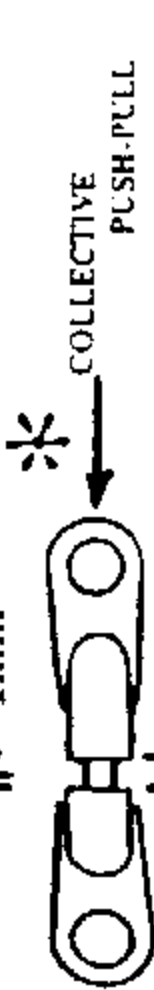
0135

0133



0313

1mm



0313

2mm



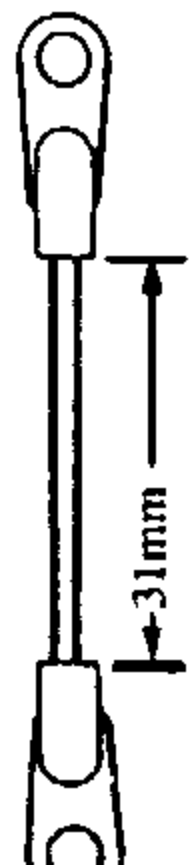
0313

4mm



0337

9mm



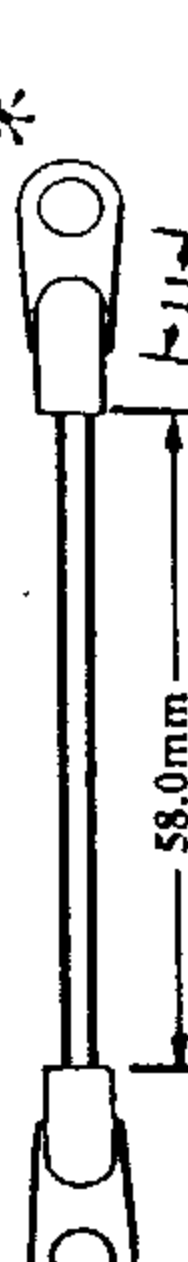
0227

31mm



0367

34mm



0335

58.0mm

11mm



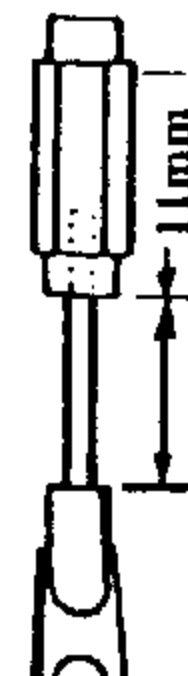
0371

72mm



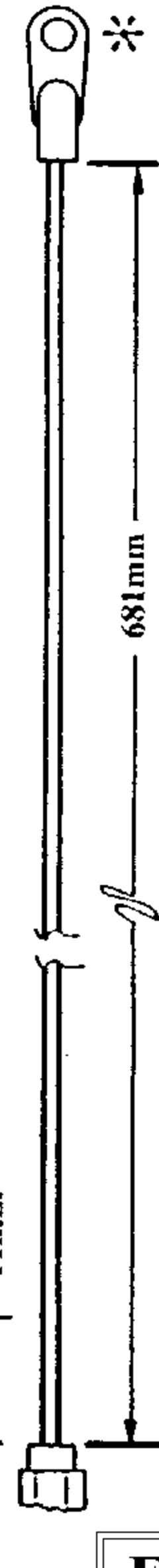
0373

113mm



106-36

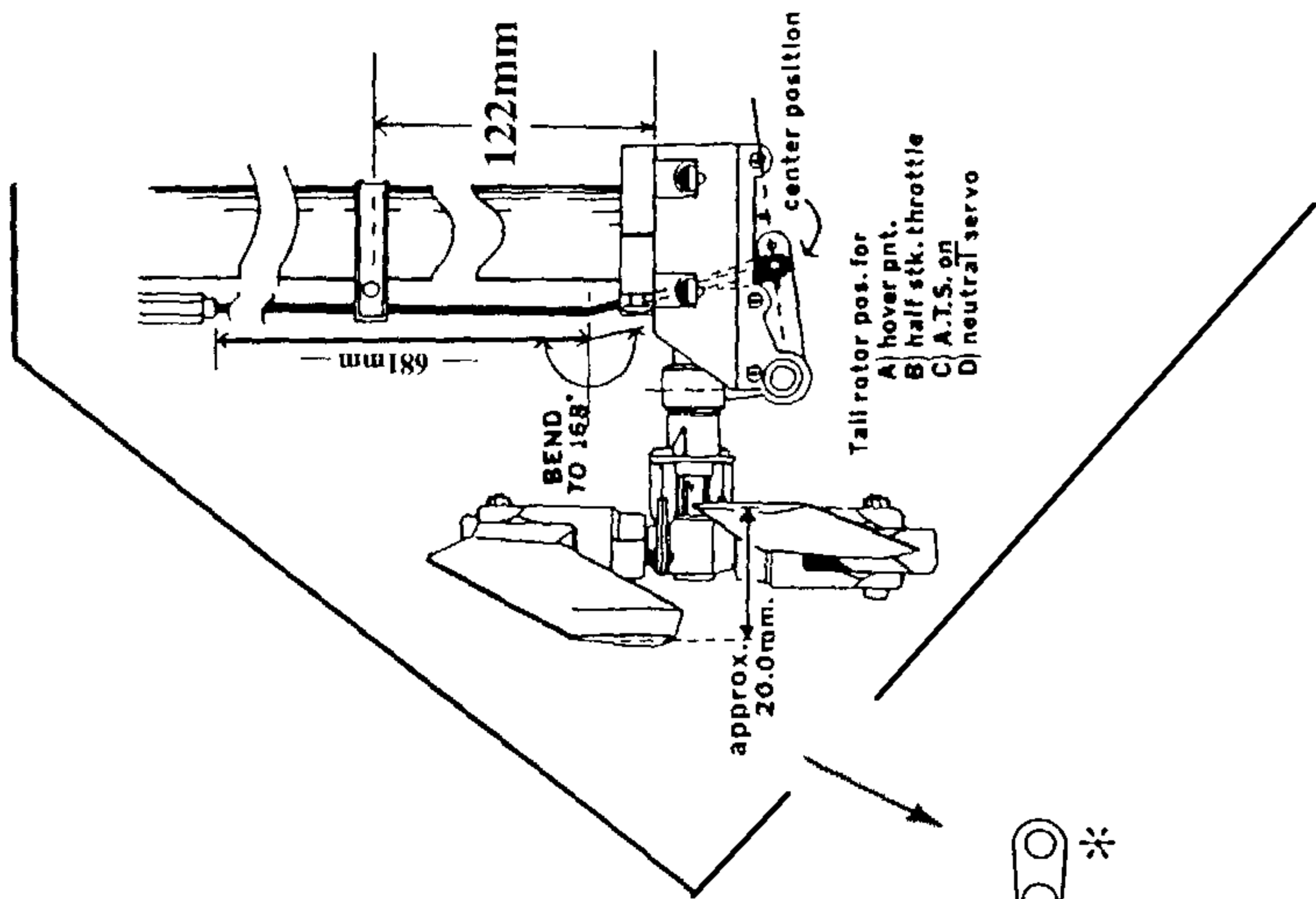
11mm



0375

681mm

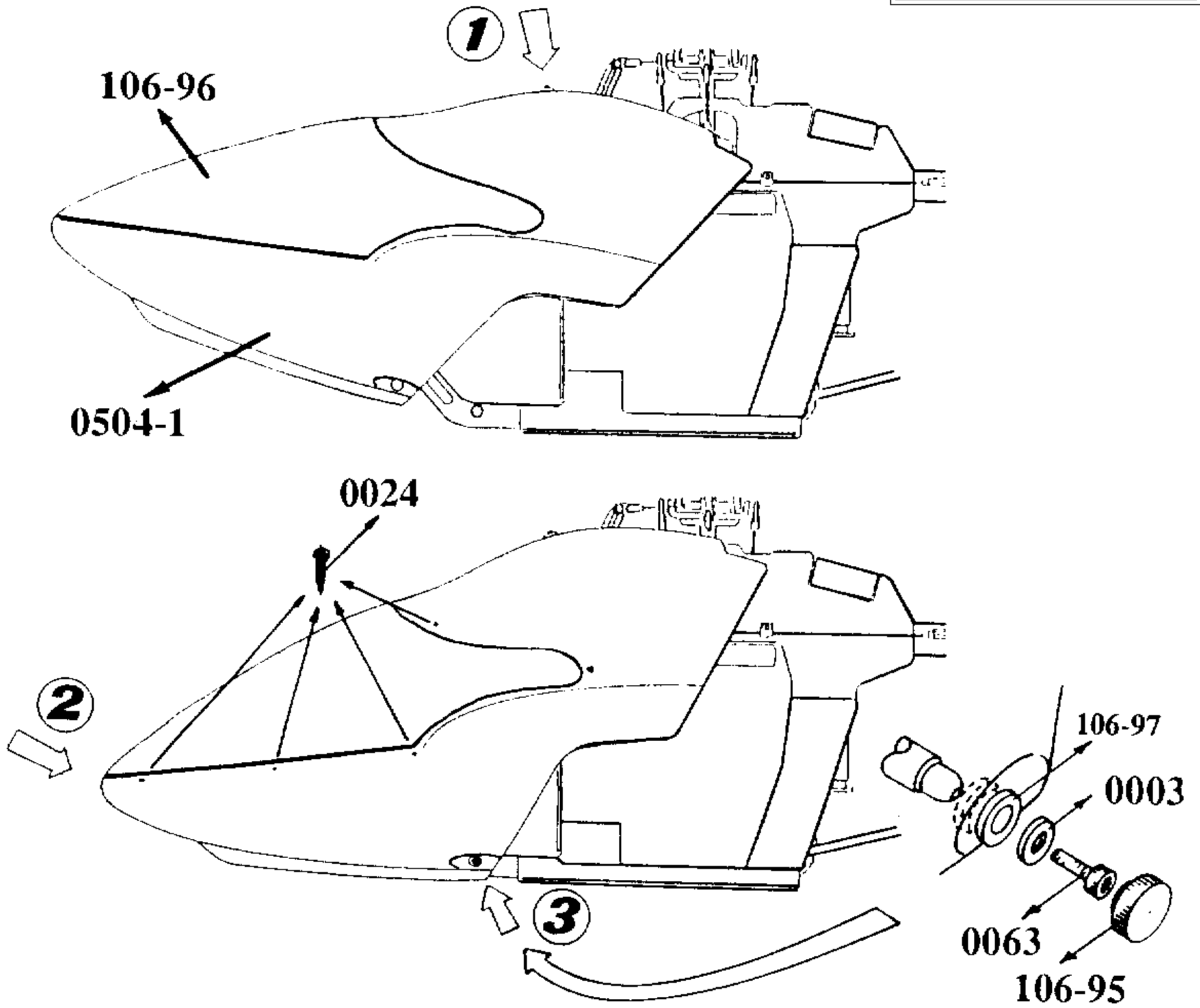
Note: Rod length not to scale

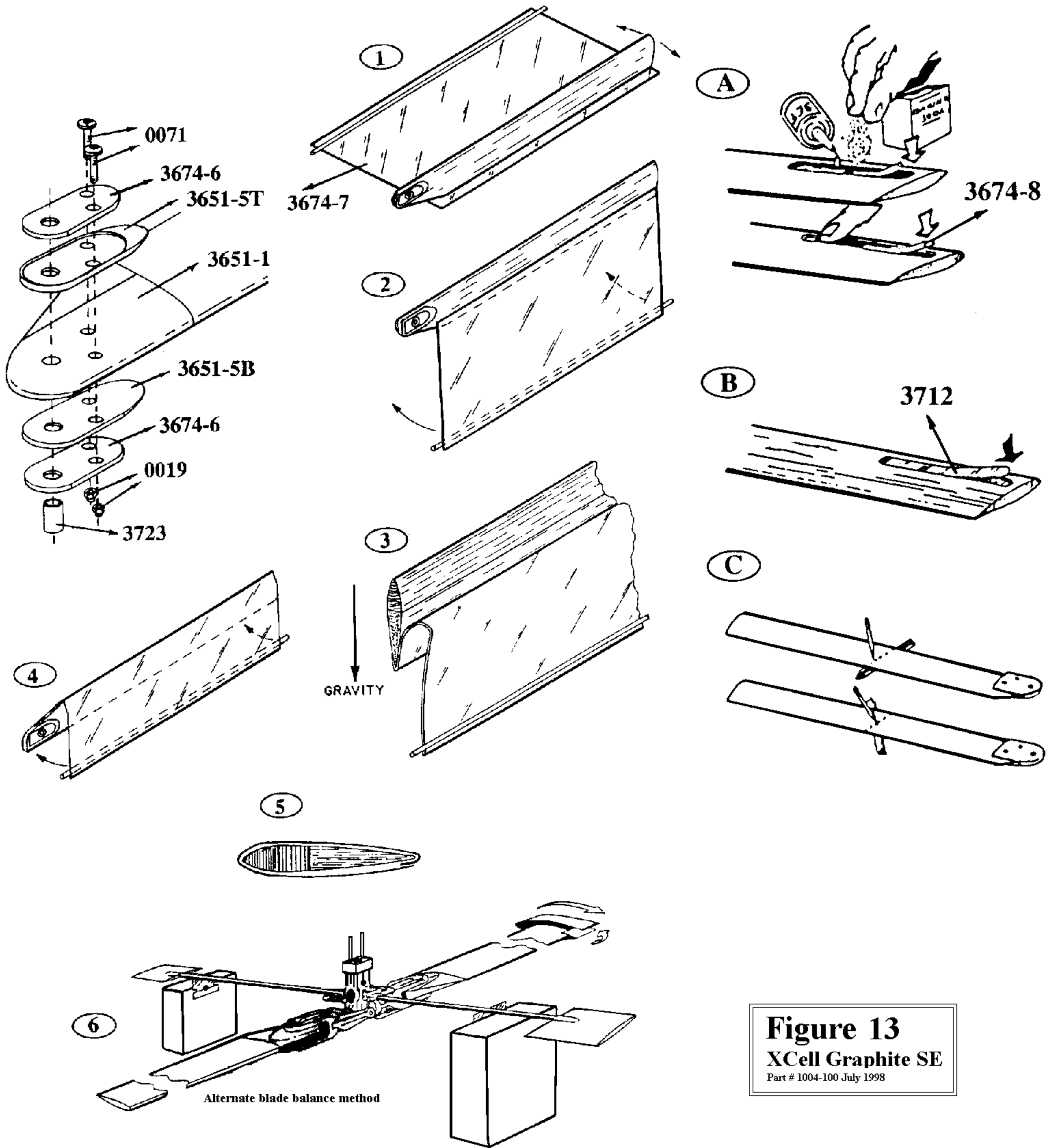


\* Variable with servo choice and position.

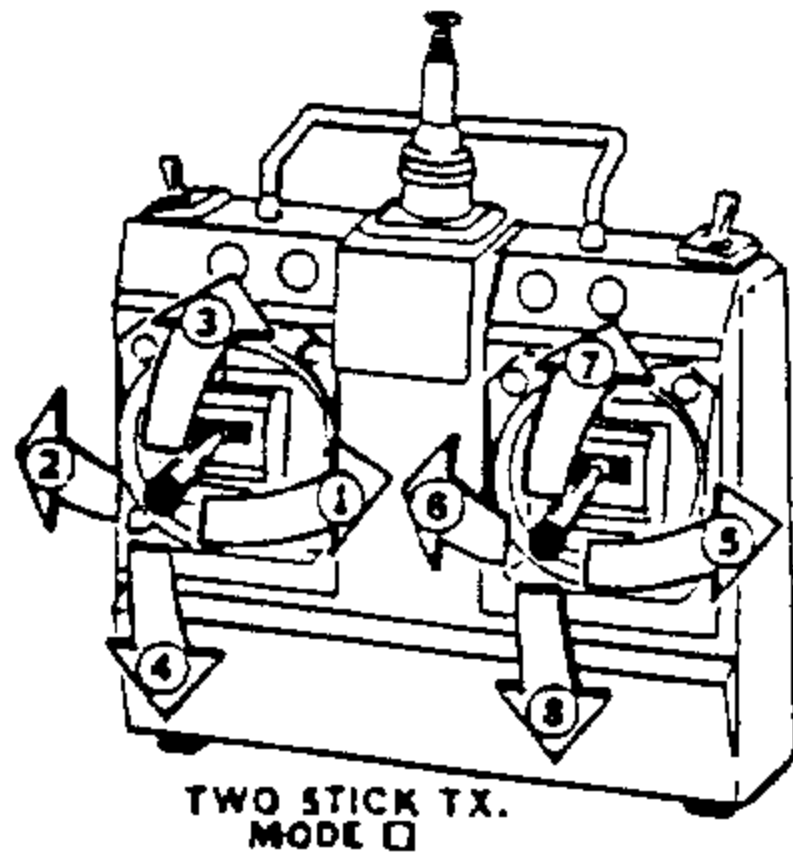
Figure 11-d  
XCell Graphite SE  
Part # 1004-100 July 1998

**Figure 12**  
**XCell Graphite SE**  
Part # 1004-100 July 1998

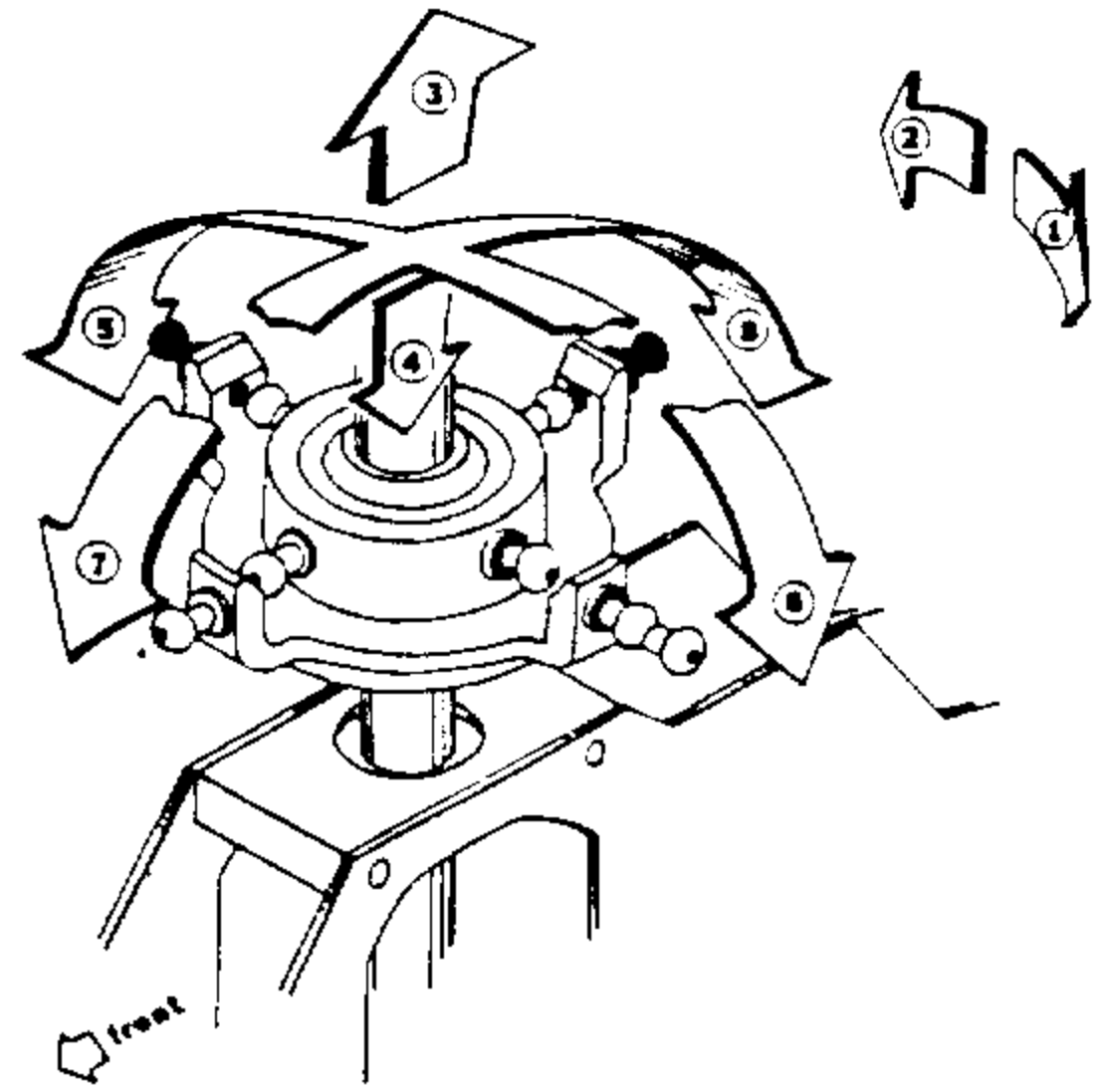




**Figure 13**  
**XCell Graphite SE**  
 Part # 1004-100 July 1998



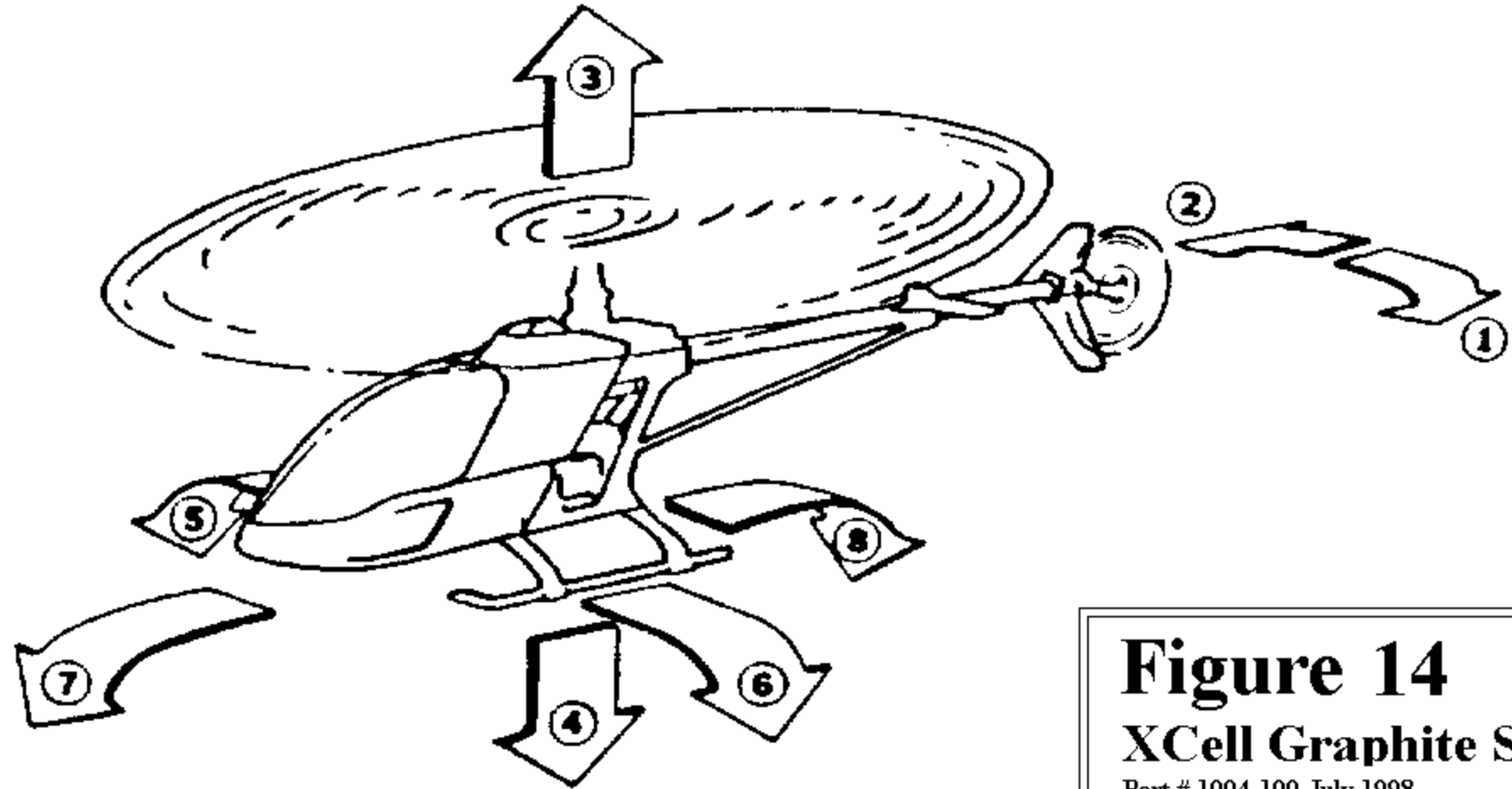
TWO STICK TX.  
MODE II



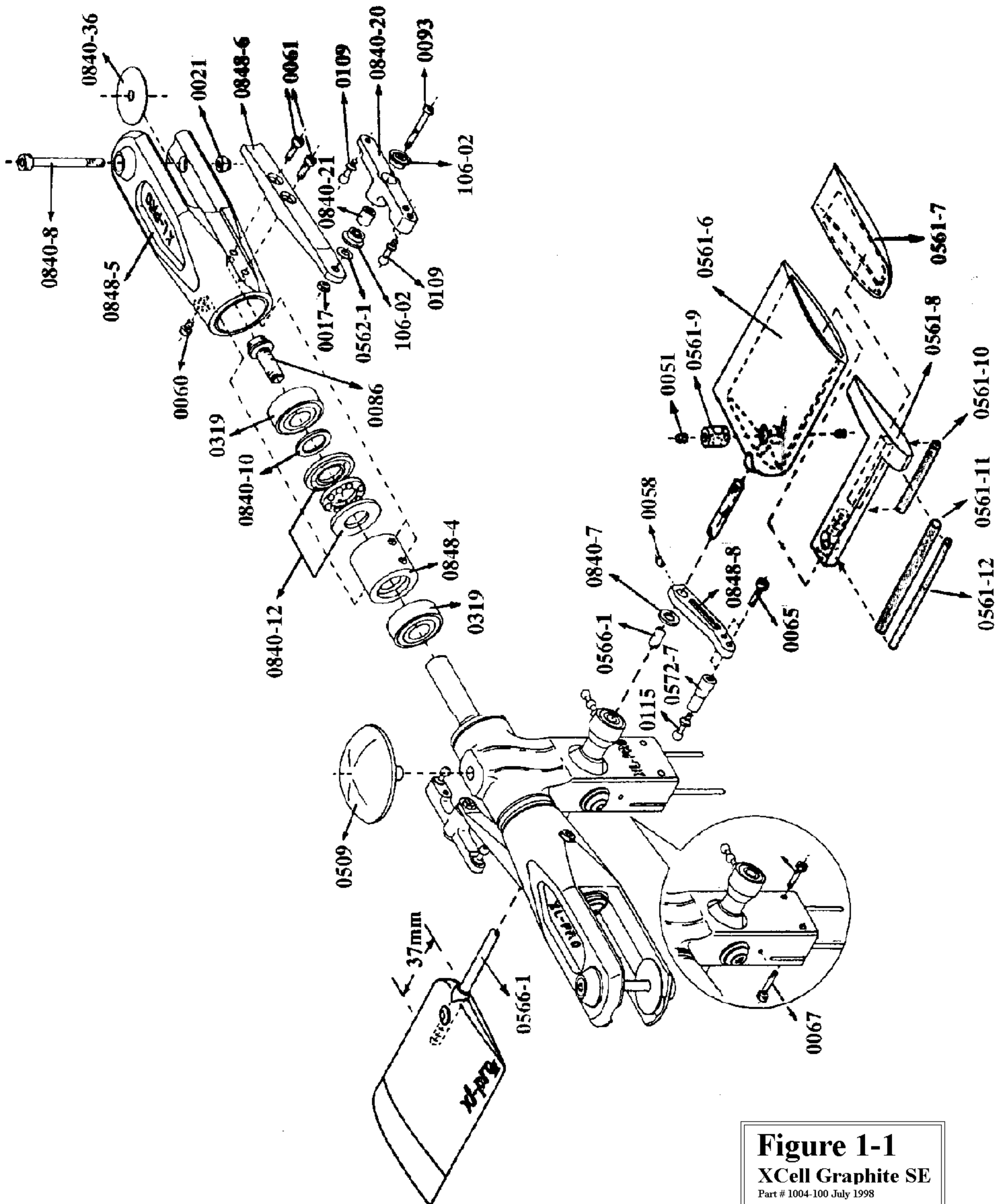
Basic operation of transmitter sticks. (Mode II Two Stick and Single Stick)

Command Sequence (1) Tailrotor - Right (2) Tailrotor - Left  
 (3) Throttle/Collective - High (4) Throttle/Collective - Low  
 (5) Roll (Aileron) - Right (6) Roll (Aileron) - Left  
 (7) Pitch (Elevator) - Forward (8) Pitch (Elevator) - Rearward

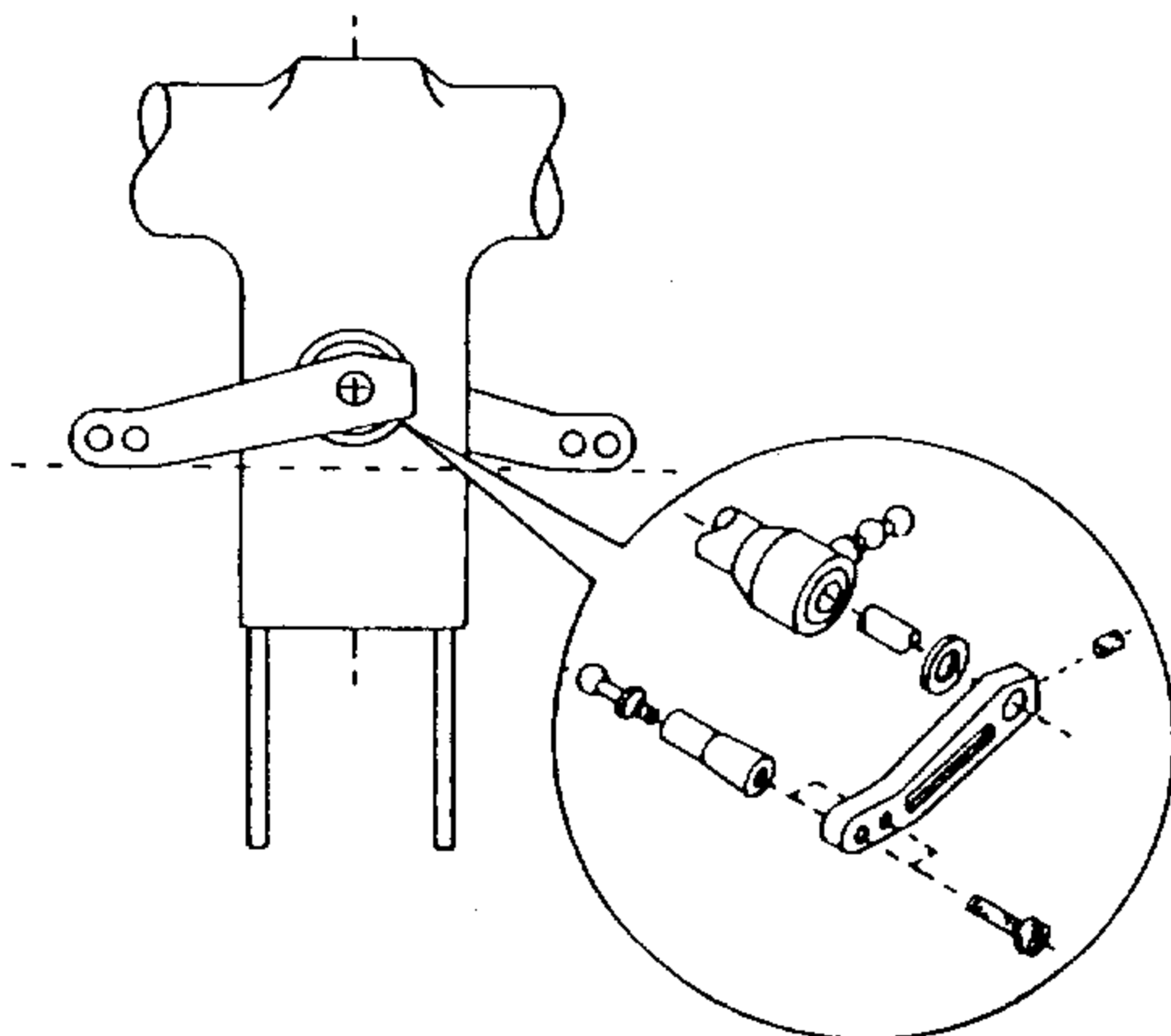
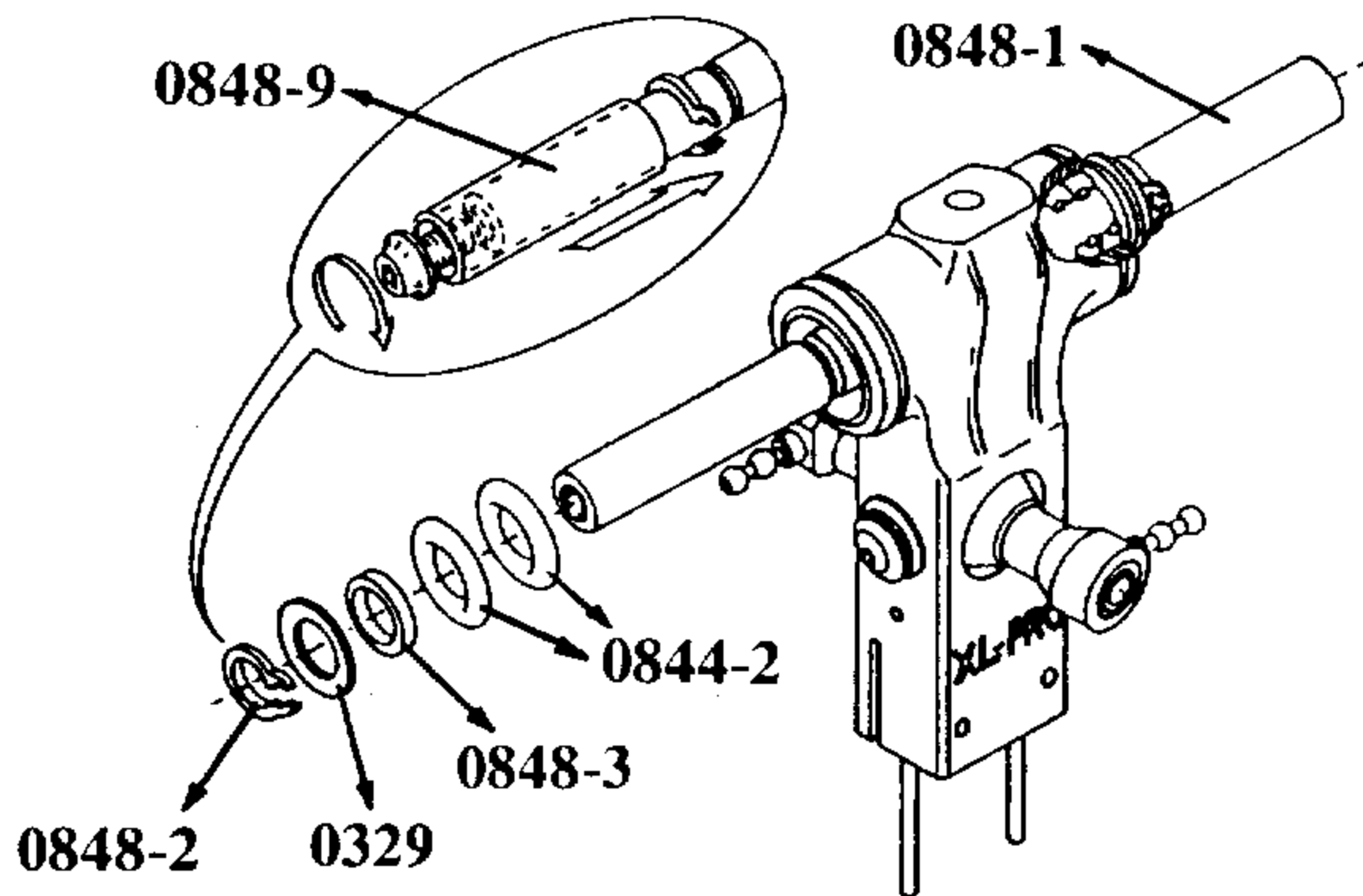
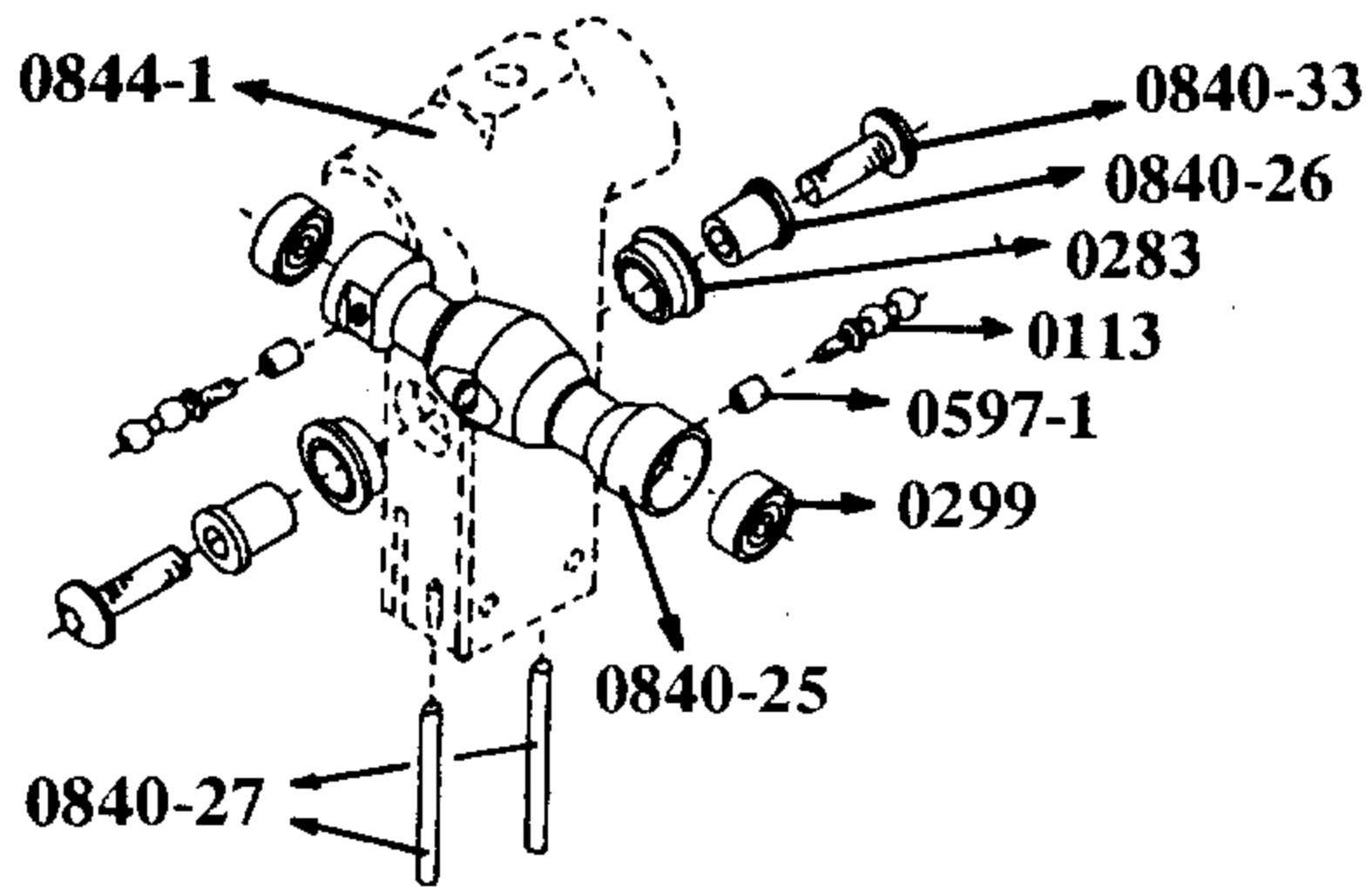
Corresponding Response (A) Swashplate (B) Flight Altitude



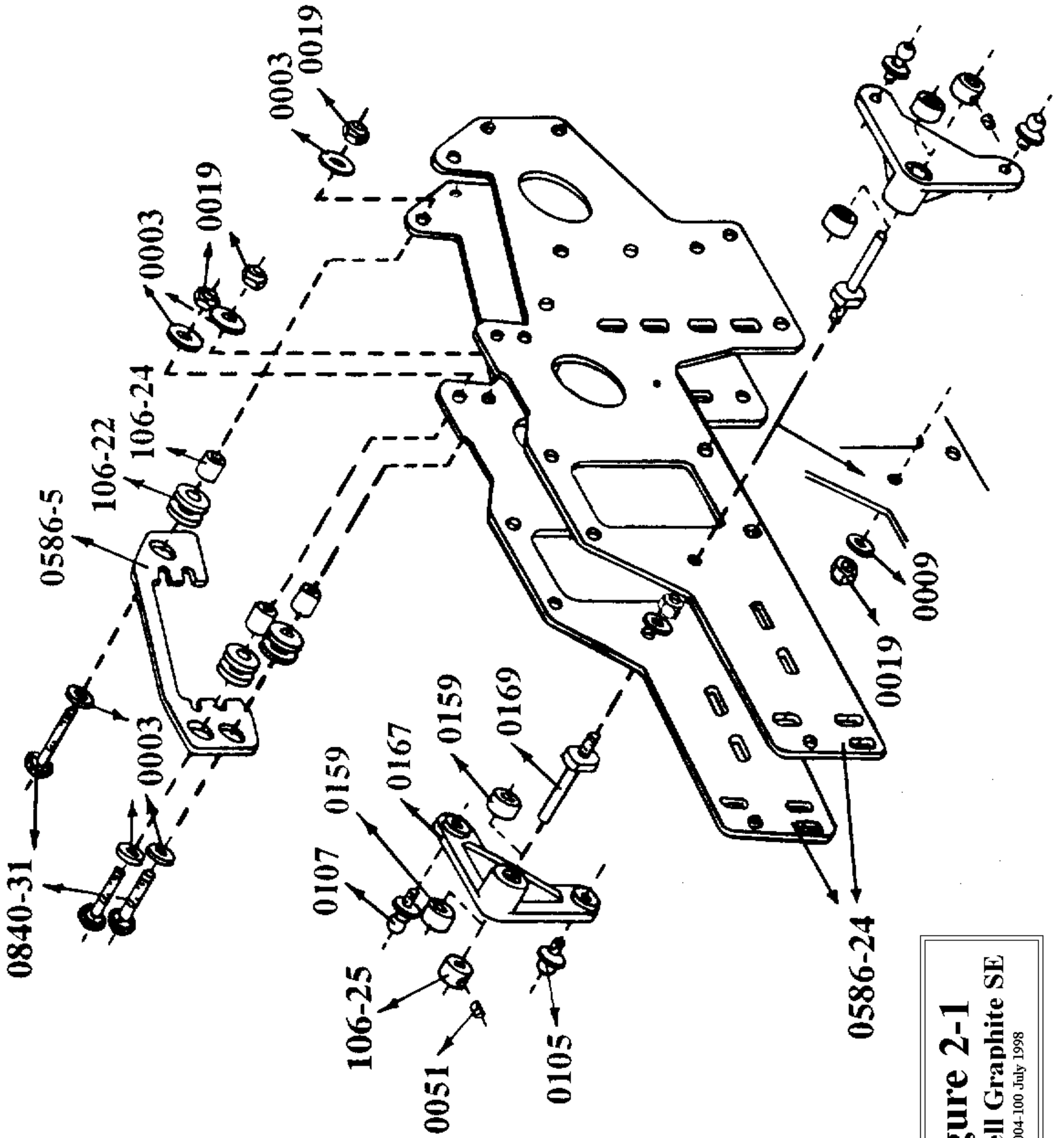
**Figure 14**  
**XCell Graphite SE**  
 Part # 1004-100 July 1998



**Figure 1-1**  
**XCell Graphite SE**  
 Part # 1004-100 July 1998

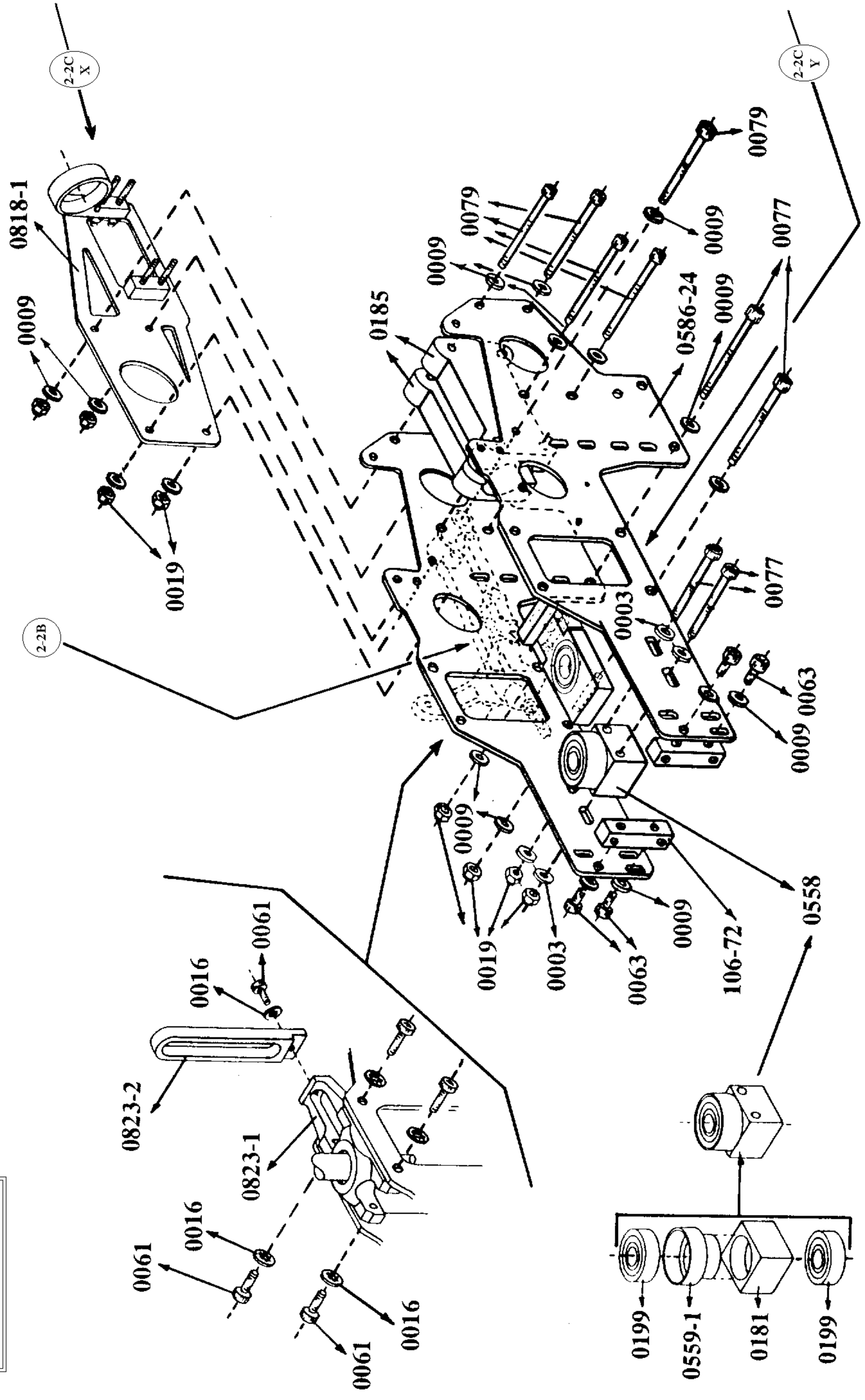


**Figure 1-2**  
**XCell Graphite SE**  
 Part # 1004-100 July 1998

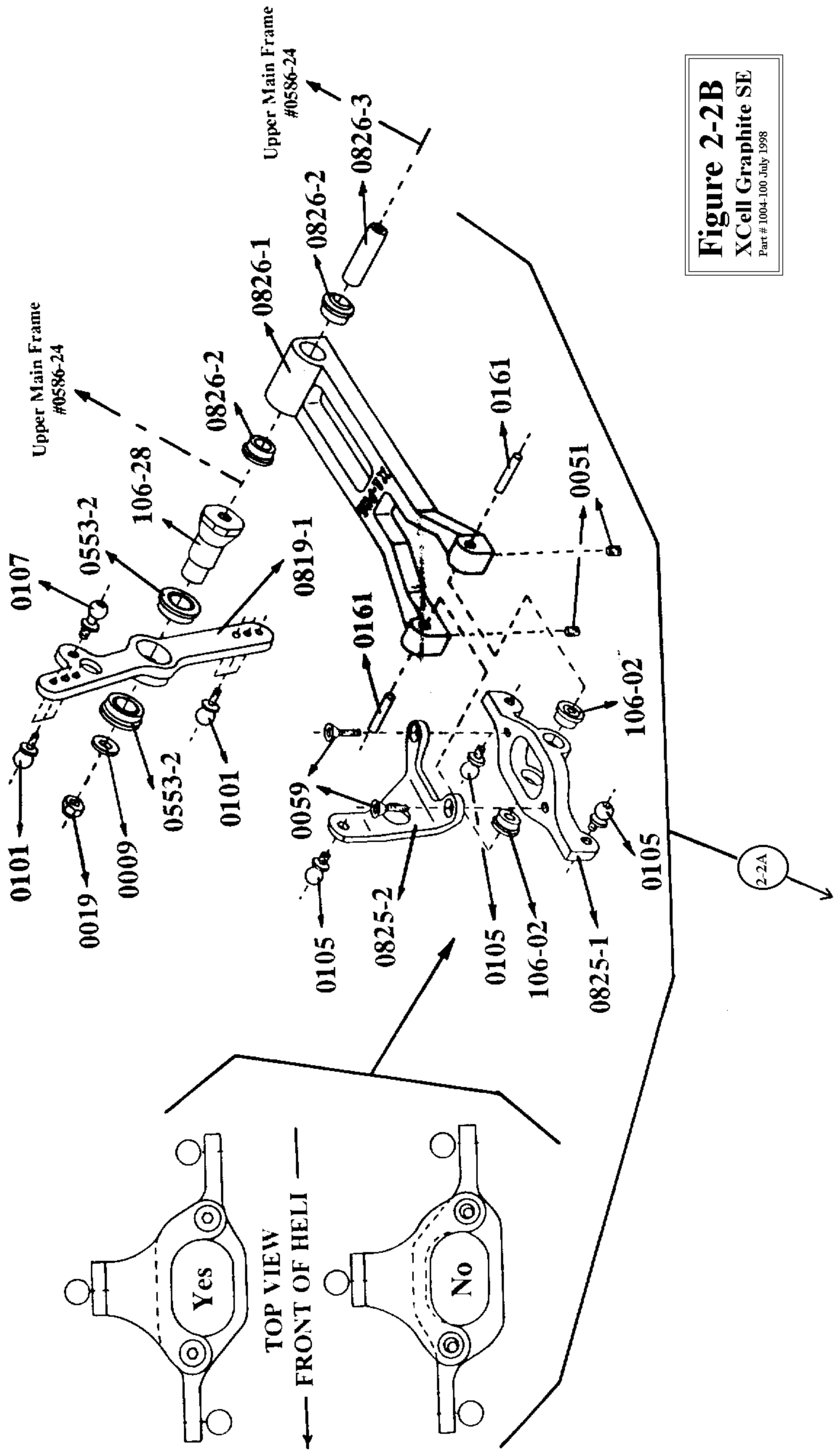


**Figure 2-1**  
 XCell Graphite SE  
 Part # 1004-100 July 1998

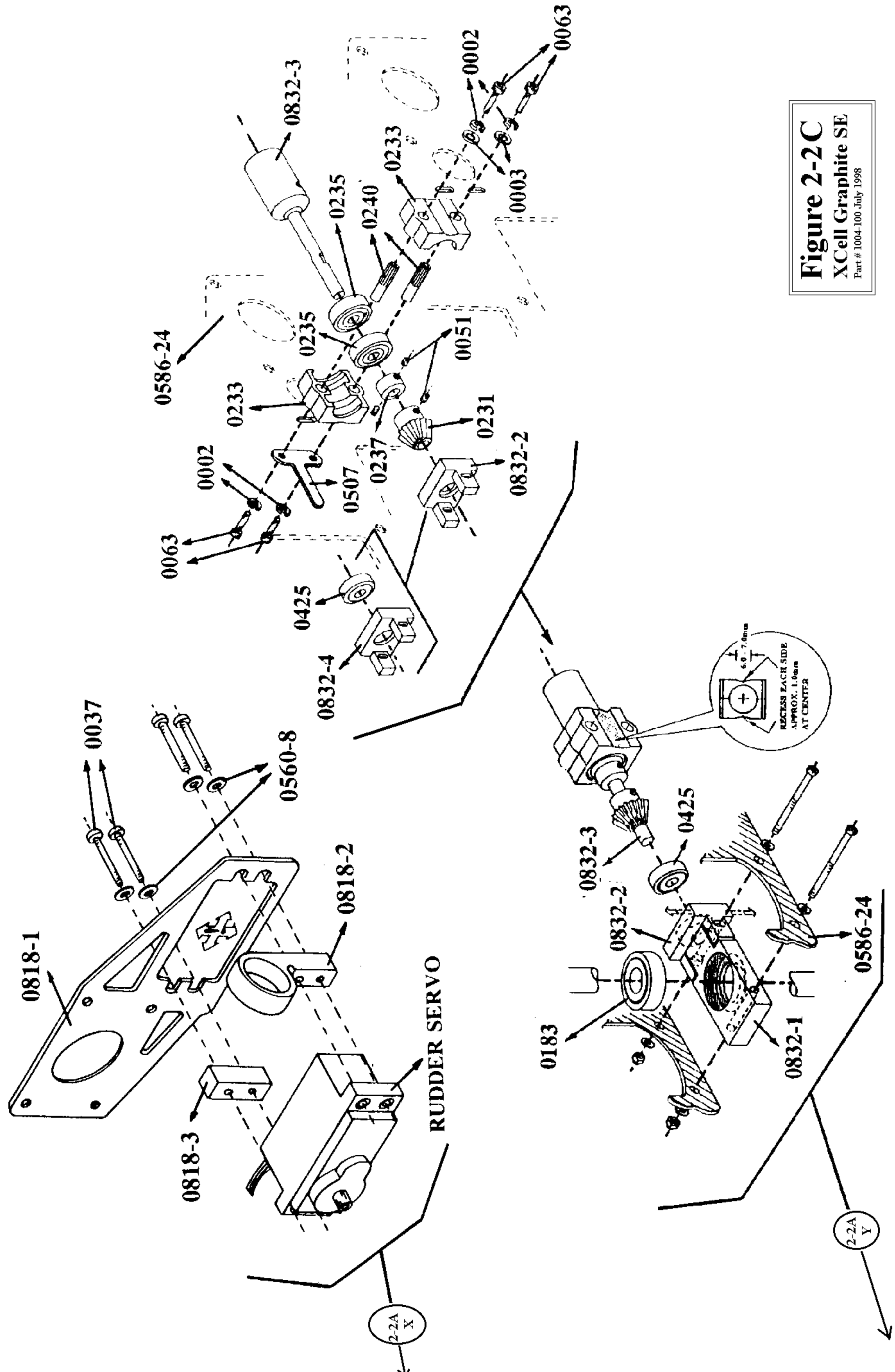
**Figure 2-2A**  
 XCell Graphite SE  
 Part # 1004-100 July 1998



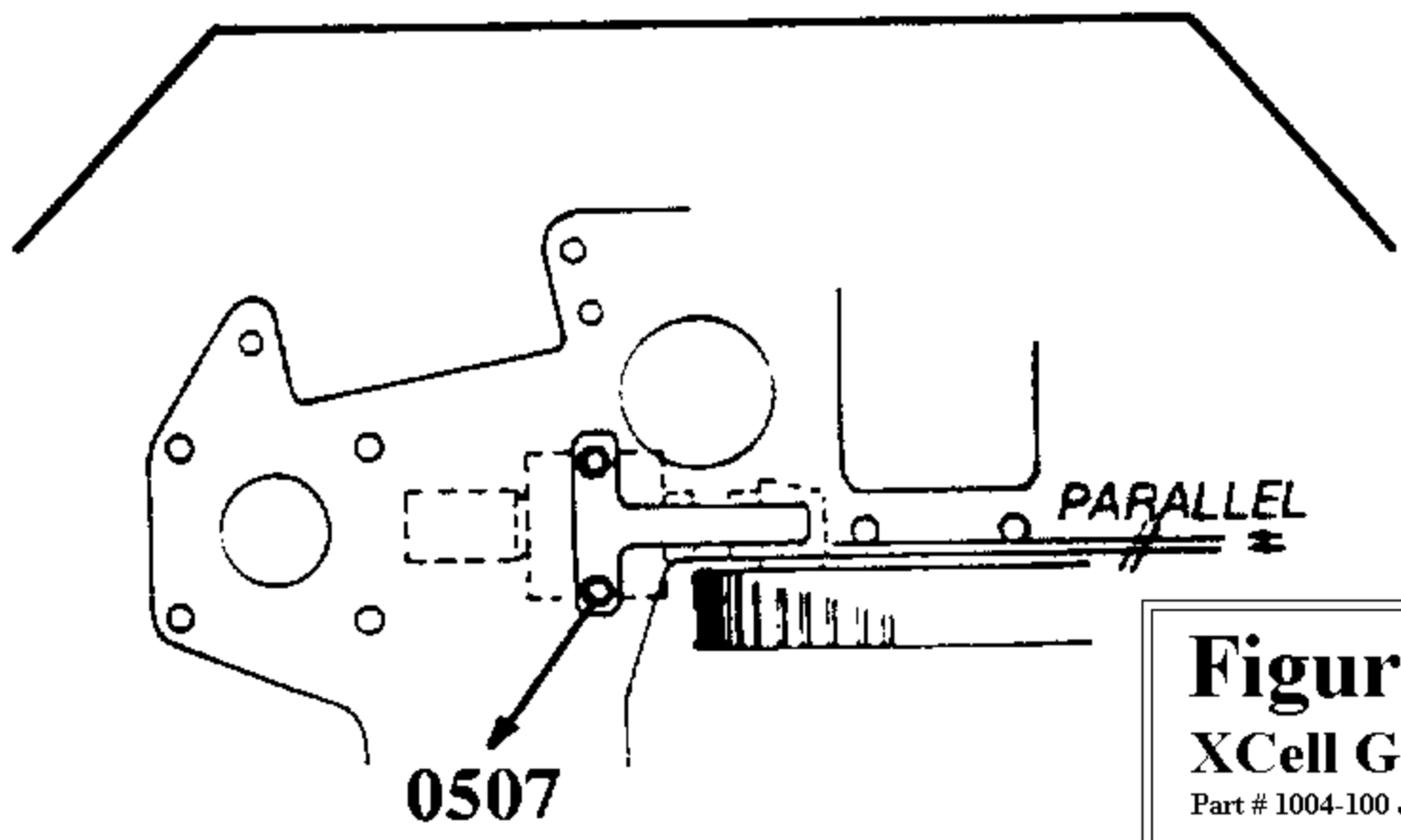
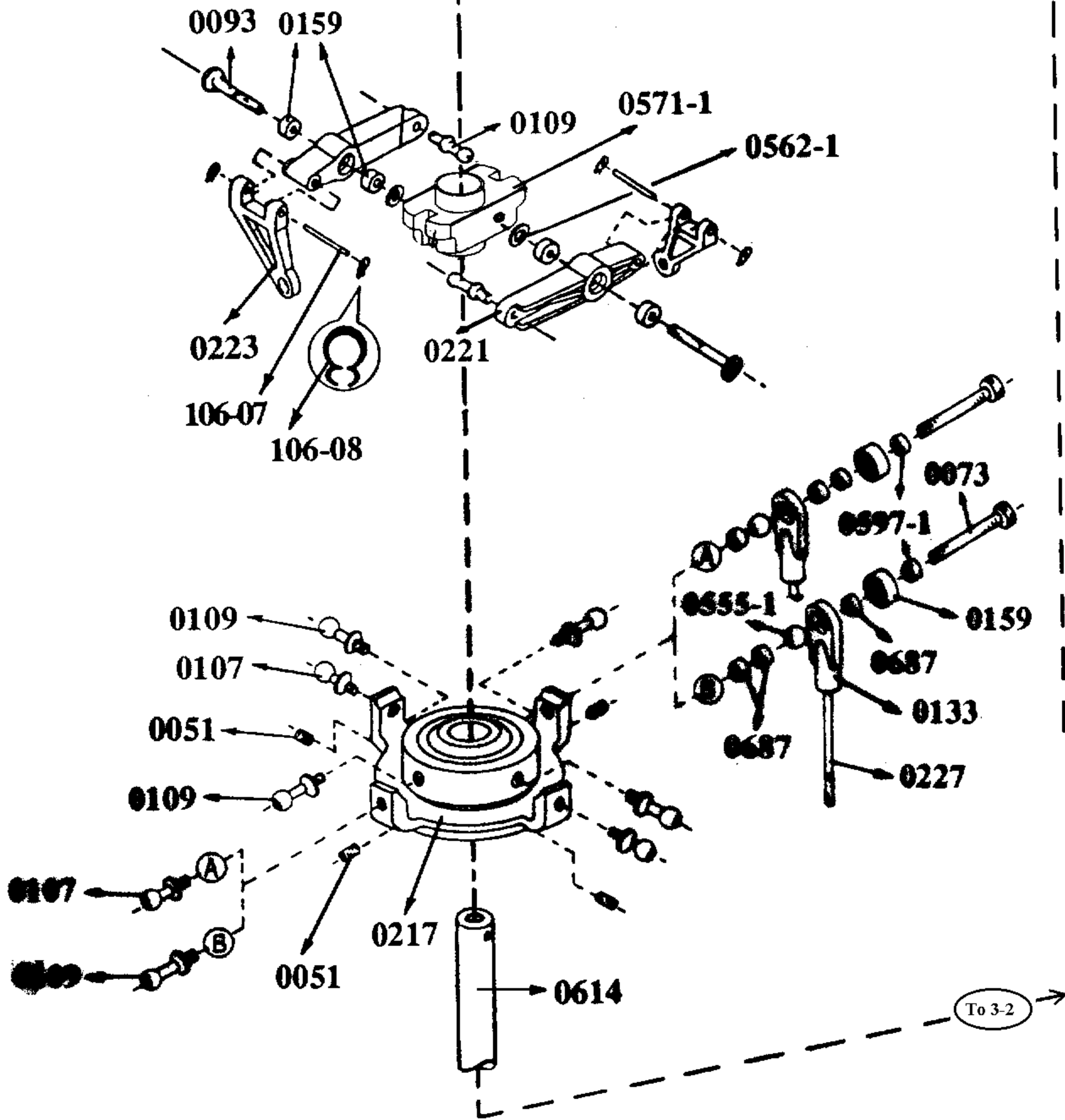




**Figure 2-2B**  
**XCell Graphite SE**  
 Part # 1004-100 July 1998

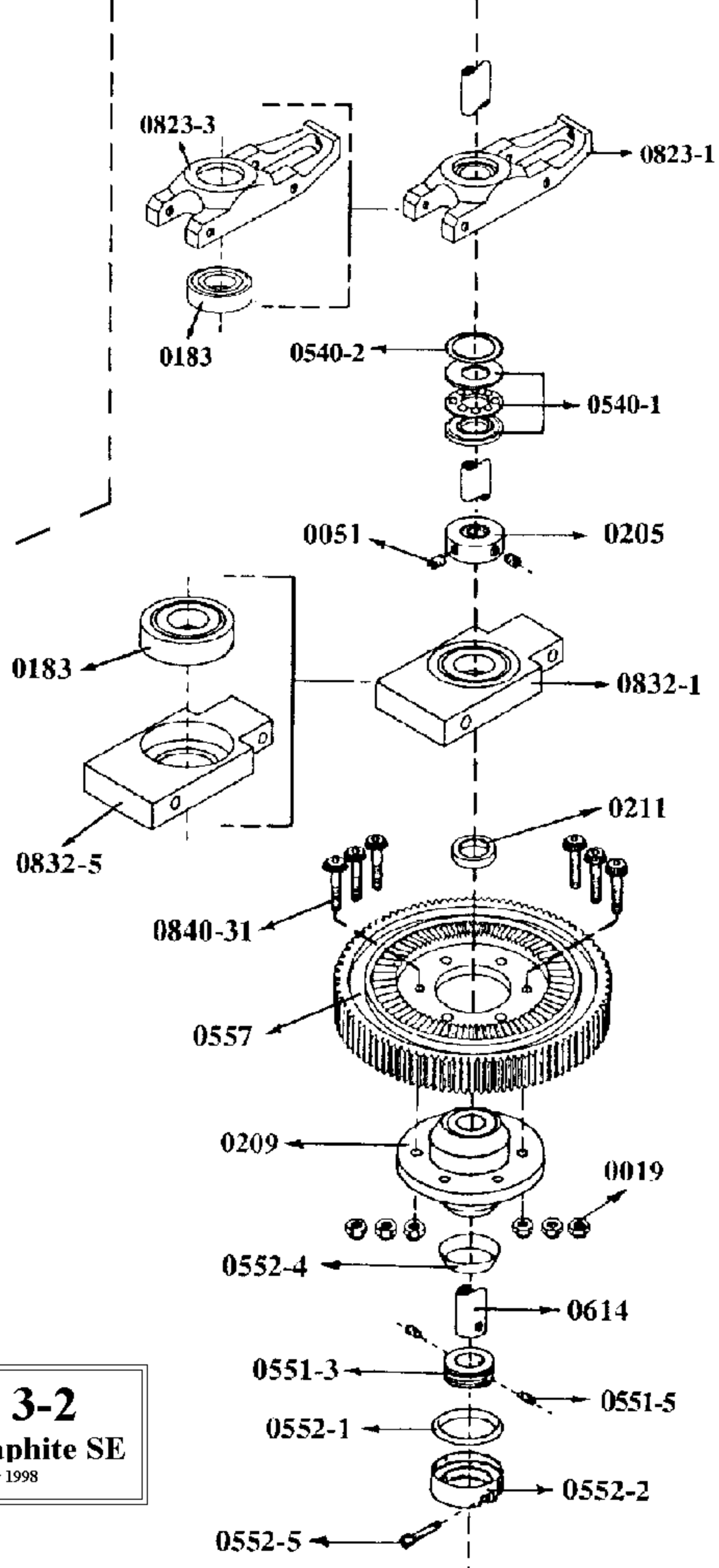


**Figure 2-2 C**  
 XCell Graphite SE  
 Part # 1004-100 July 1998

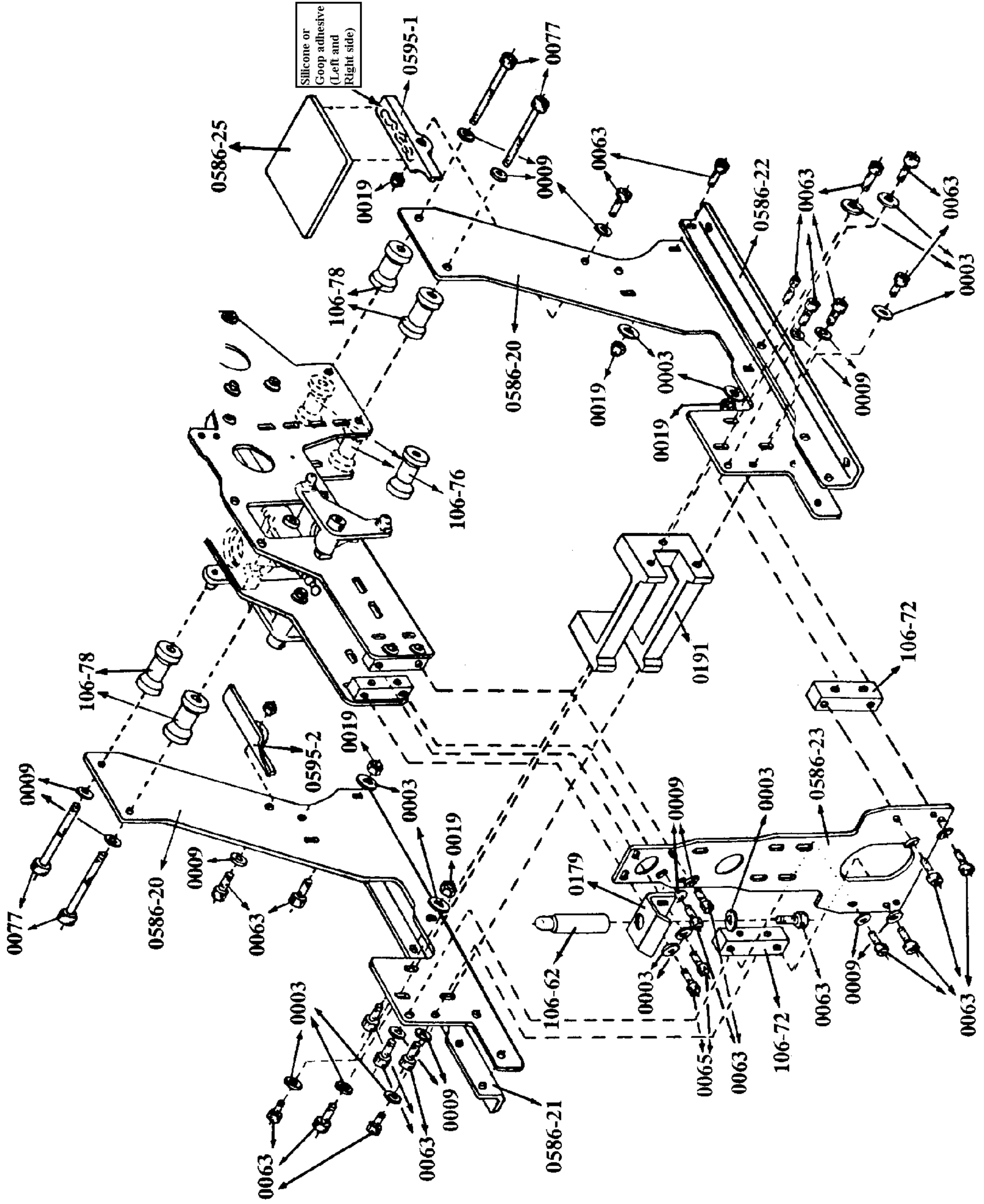


**Figure 3-1**  
**XCell Graphite SE**  
 Part # 1004-100 July 1998

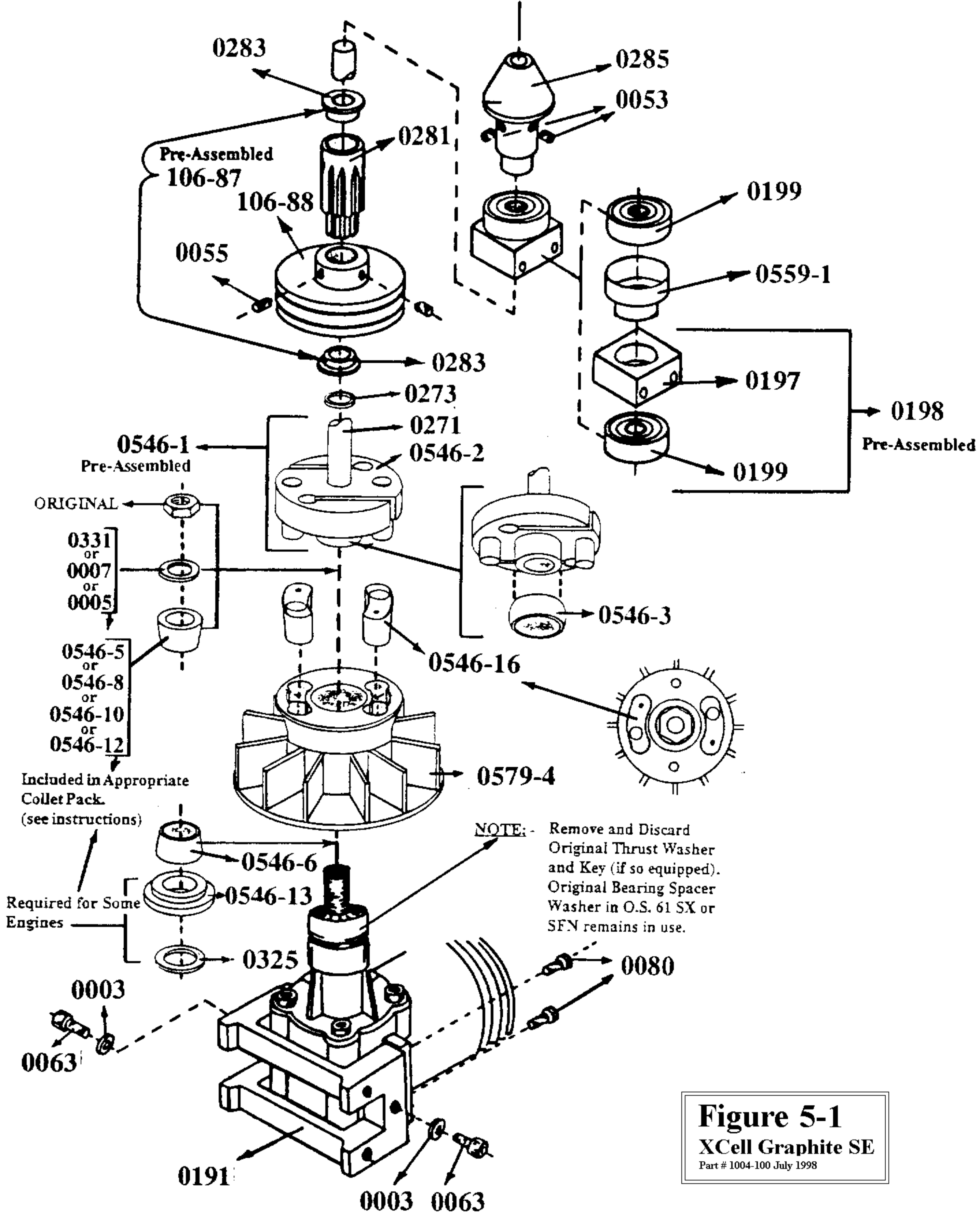
From 3-1

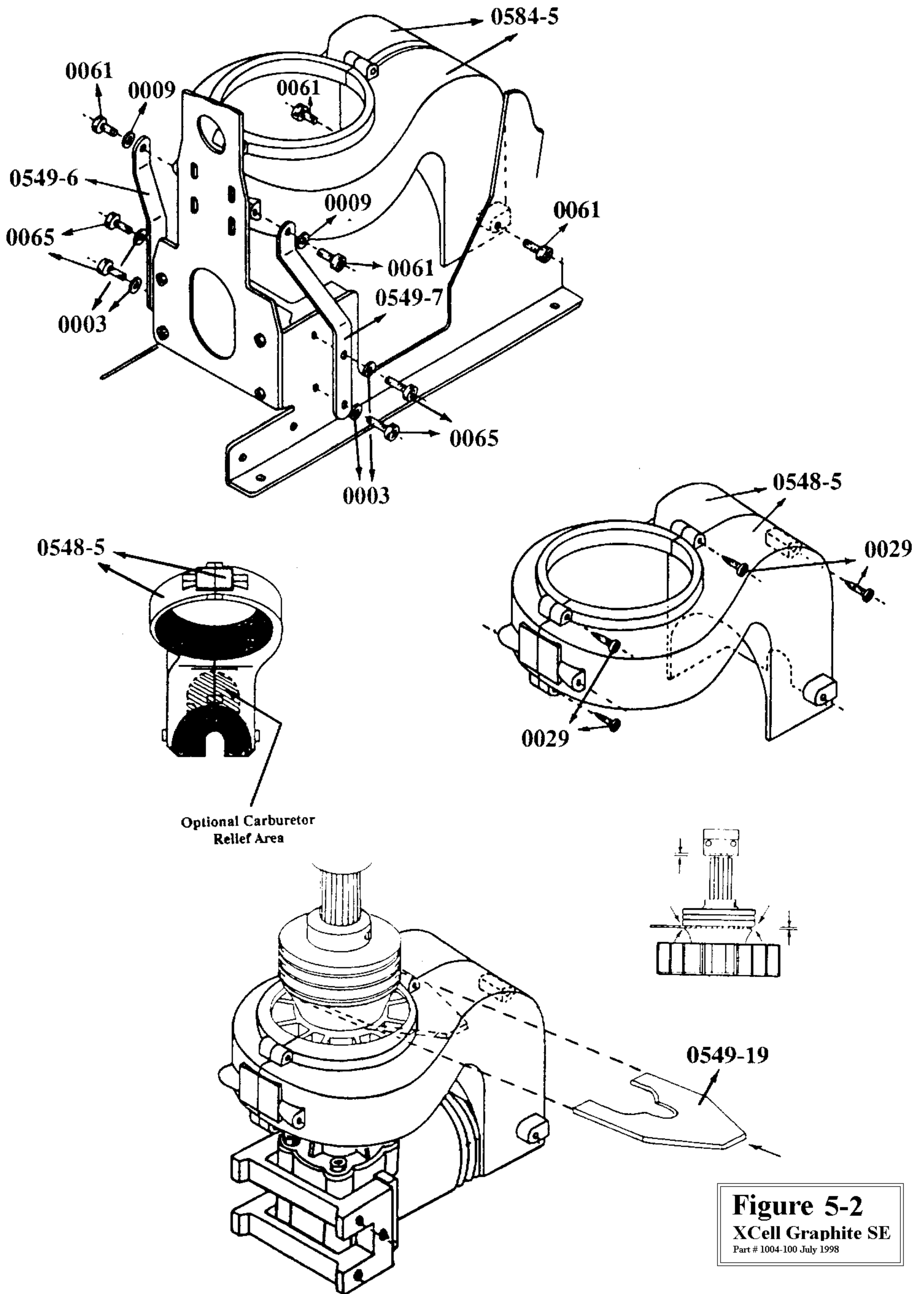


**Figure 3-2**  
**XCell Graphite SE**  
Part # 1004-100 July 1998

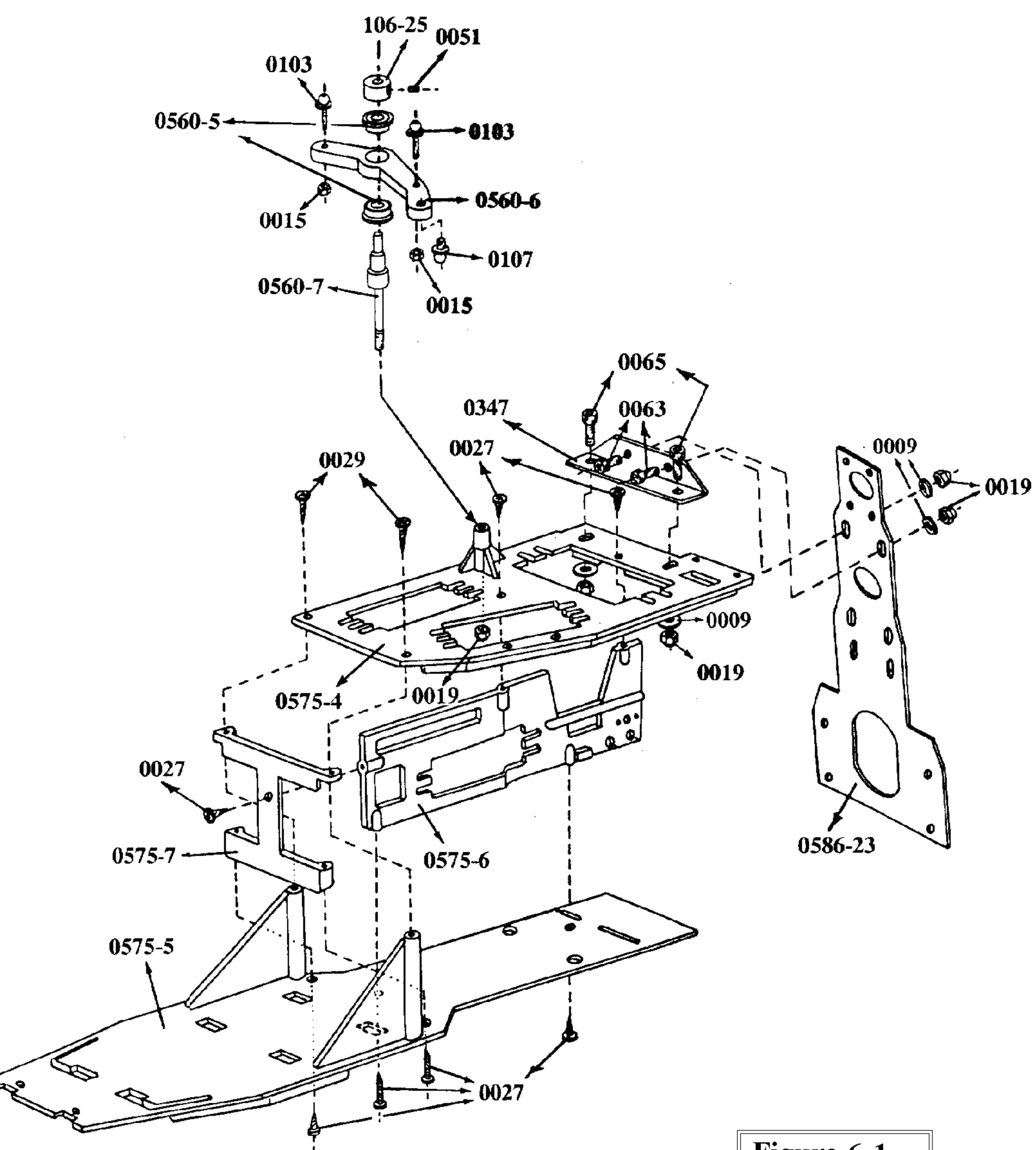


**Figure 4**  
**XCell Graphite SE**  
 Part # 1004-100 July 1998



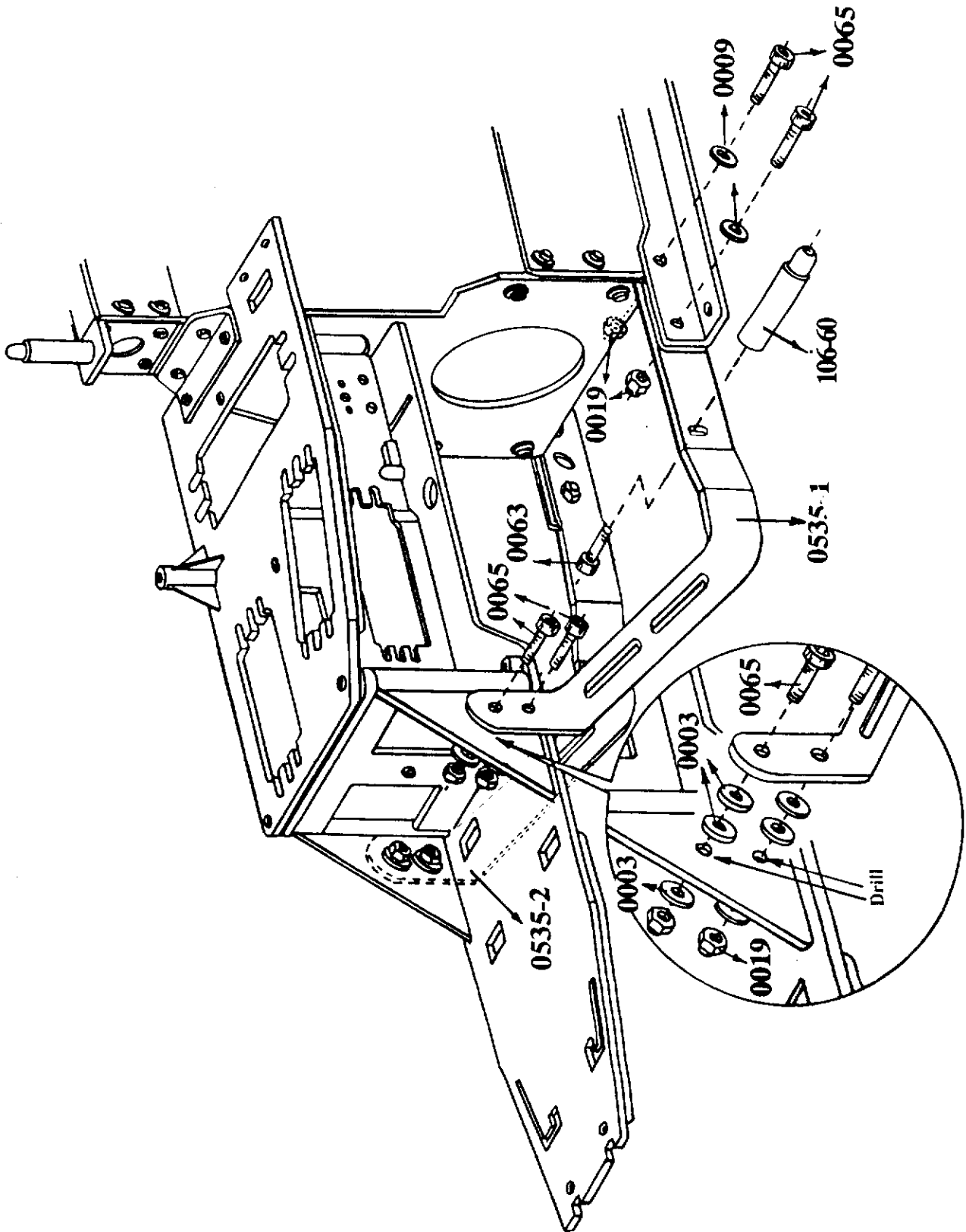


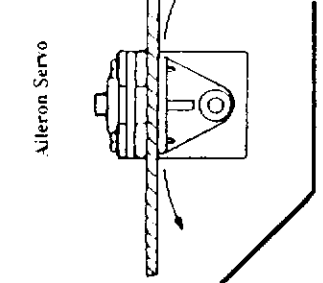
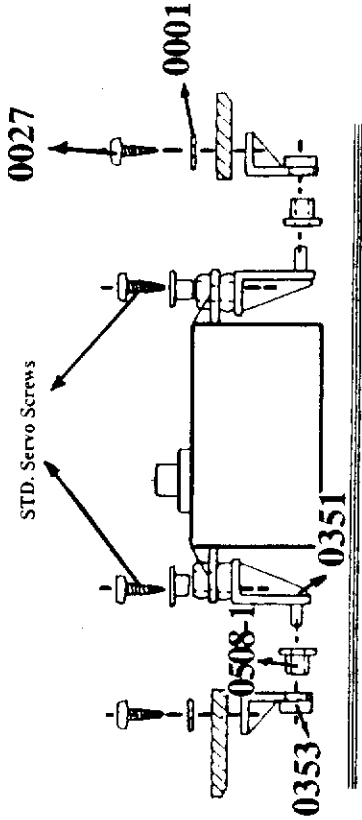
**Figure 5-2**  
**XCell Graphite SE**  
 Part # 1004-100 July 1998



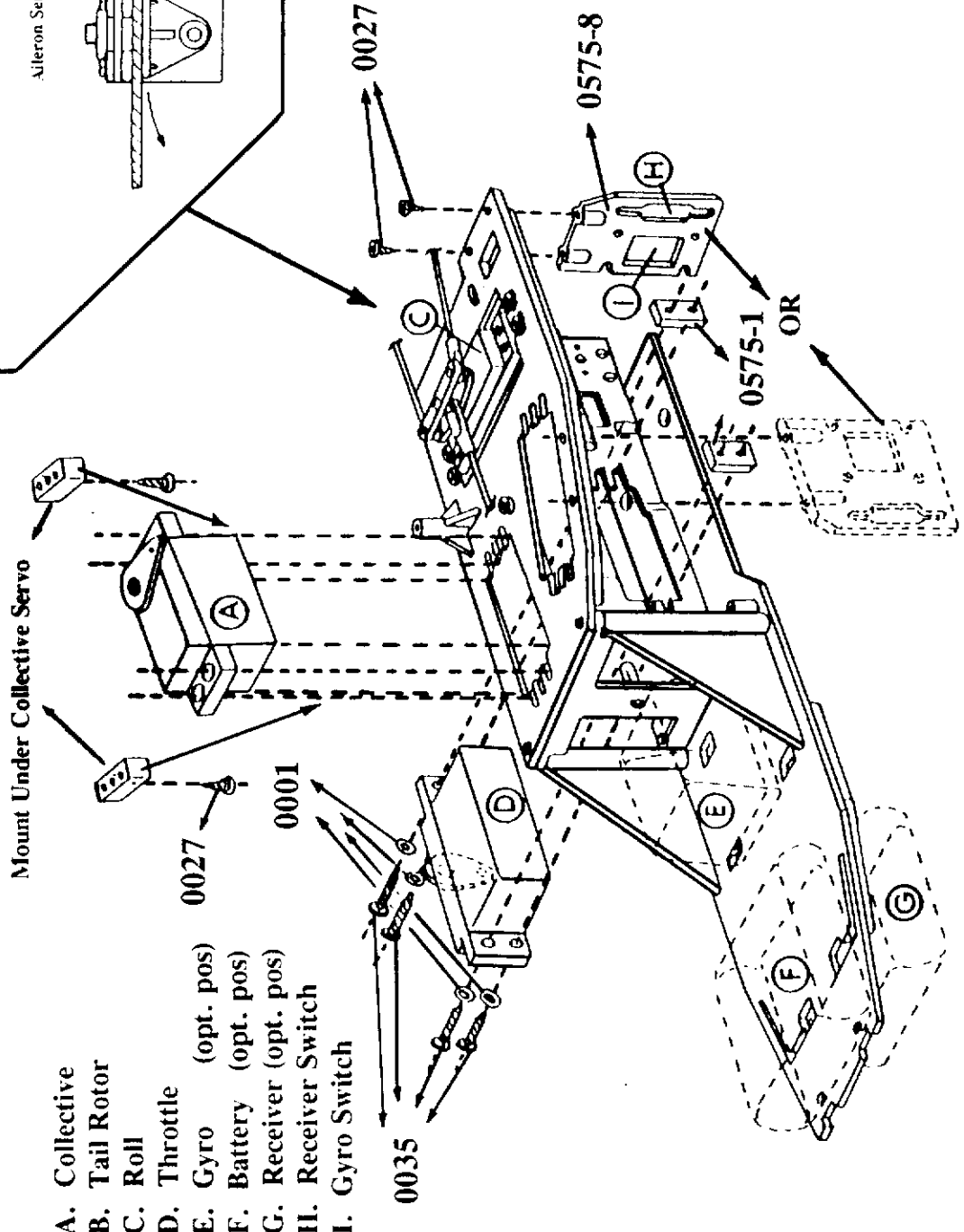
**Figure 6-1**  
**XCell Graphite SE**  
 Part # 1004-100 July 1998



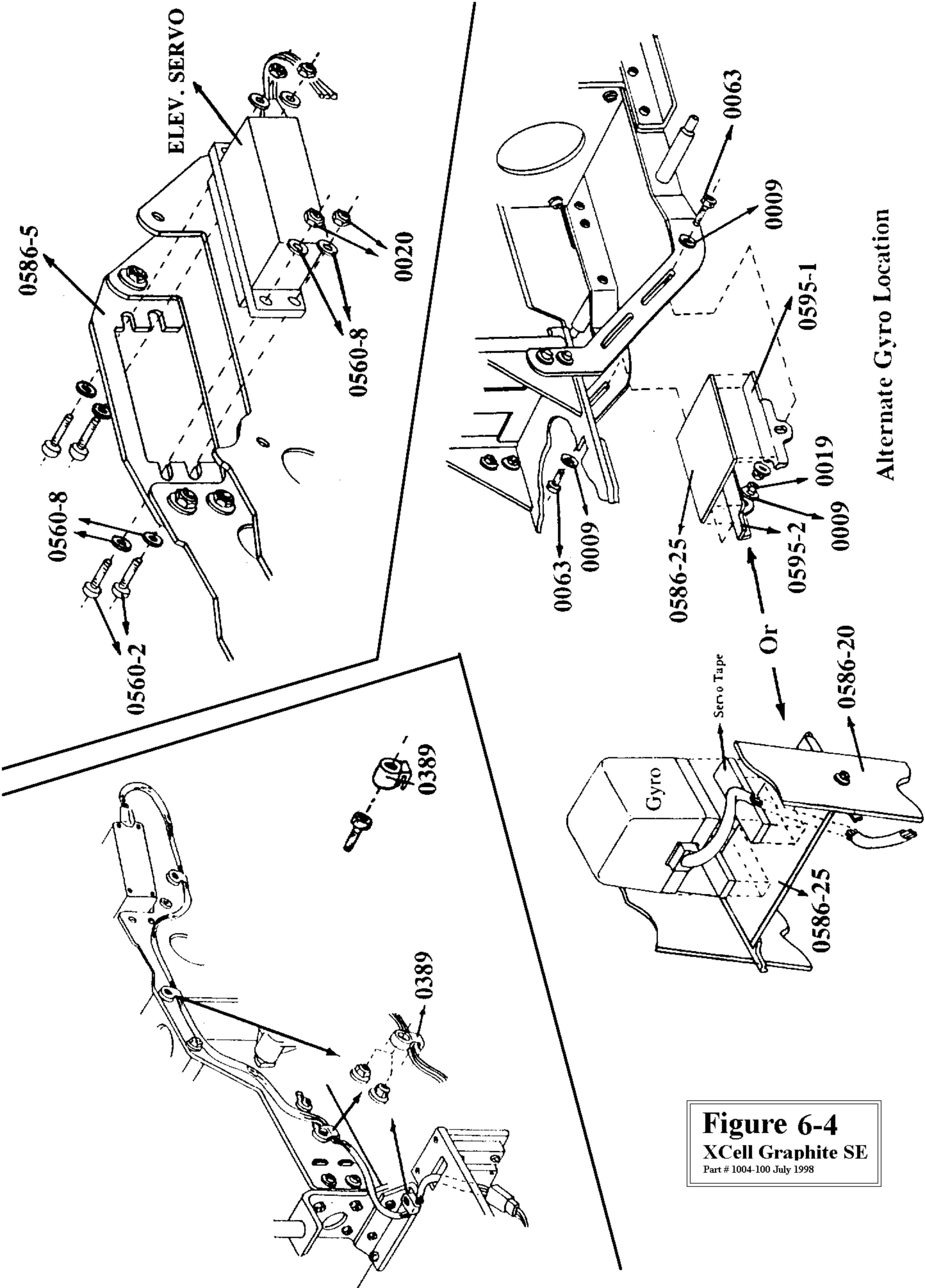




Mount Under Collective Servo

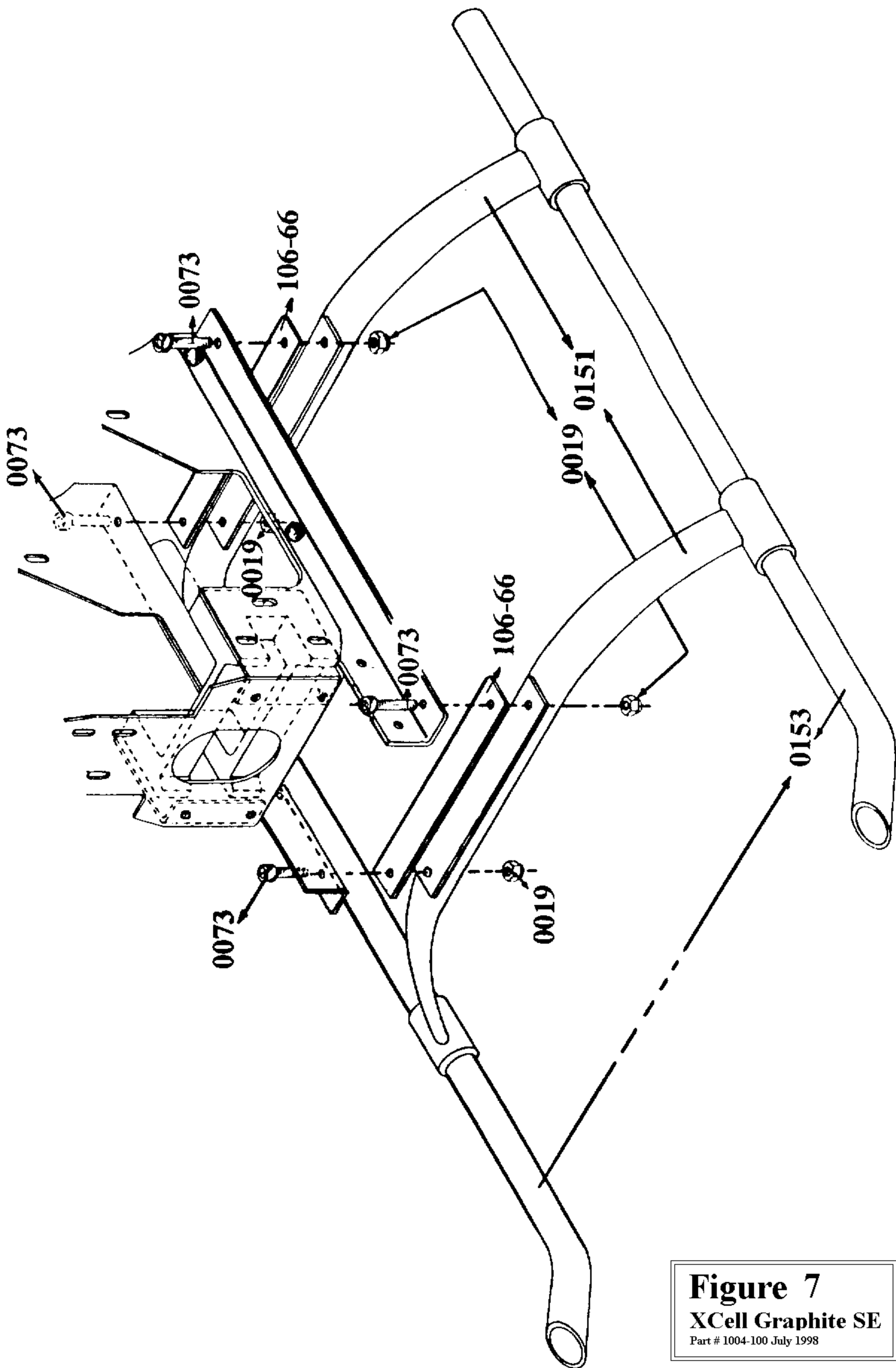


- A. Collective
- B. Tail Rotor
- C. Roll
- D. Throttle
- E. Gyro (opt. pos)
- F. Battery (opt. pos)
- G. Receiver (opt. pos)
- H. Receiver Switch
- I. Gyro Switch

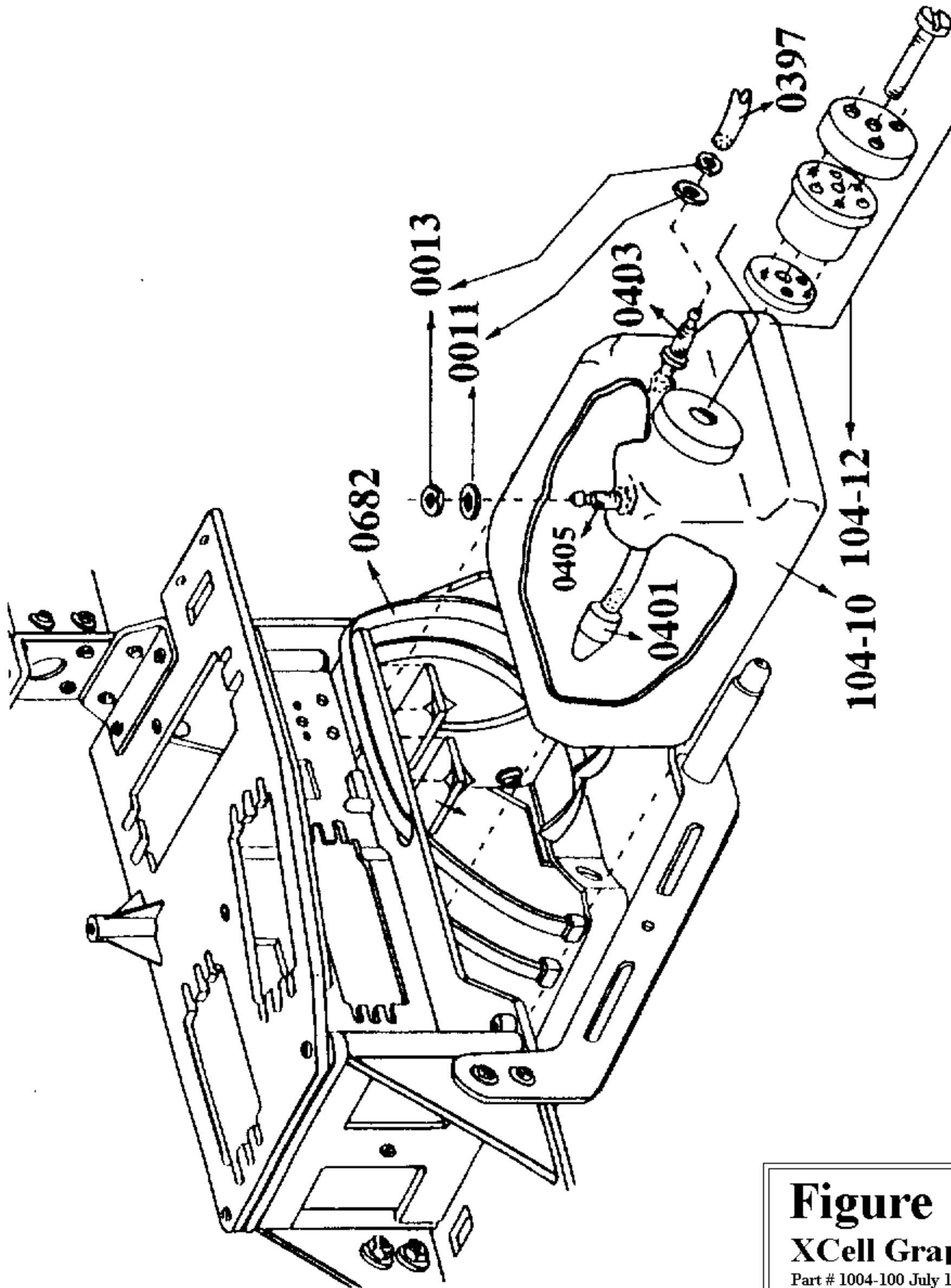


Alternate Gyro Location

**Figure 6-4**  
**XCell Graphite SE**  
 Part # 1004-100 July 1998

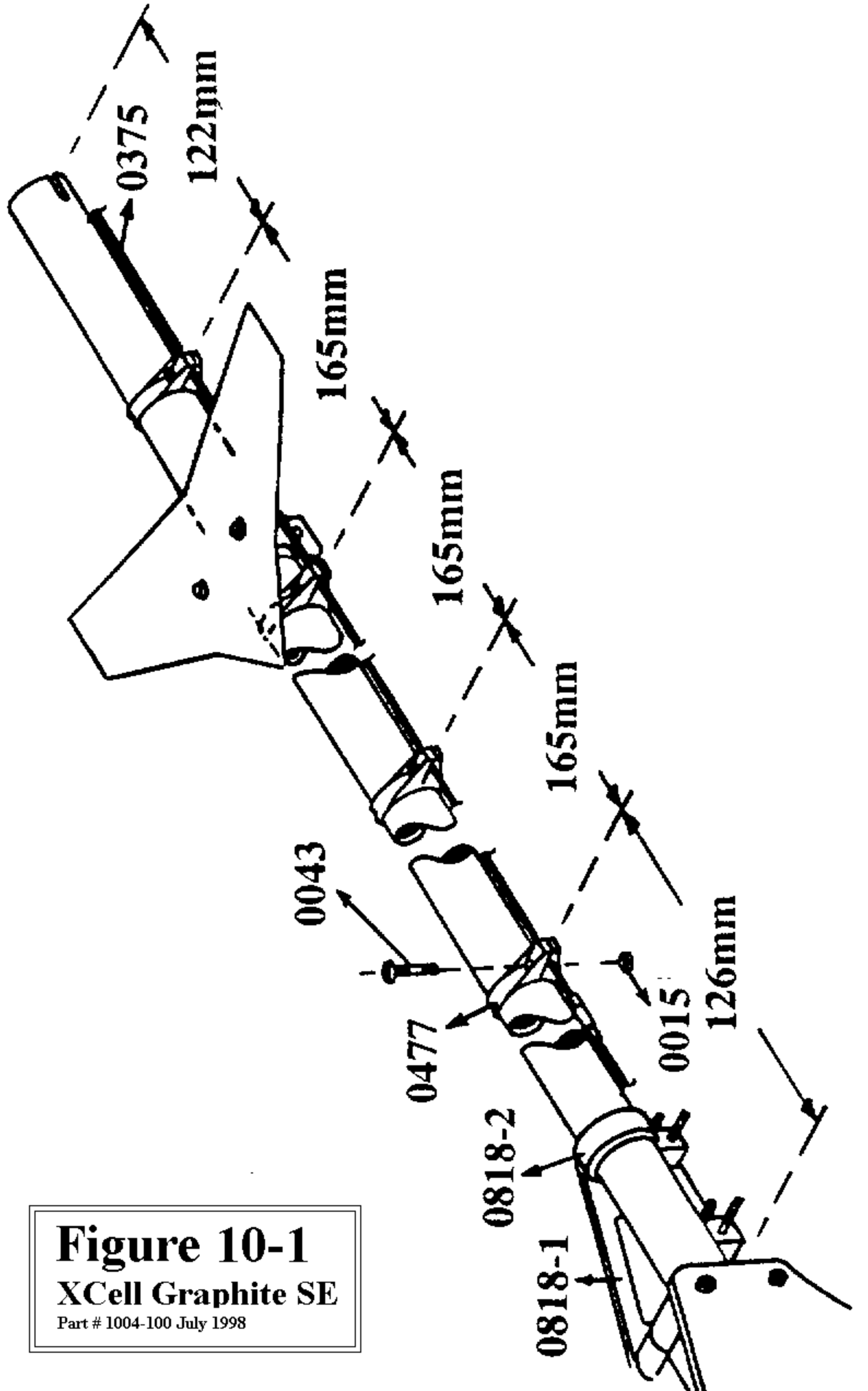
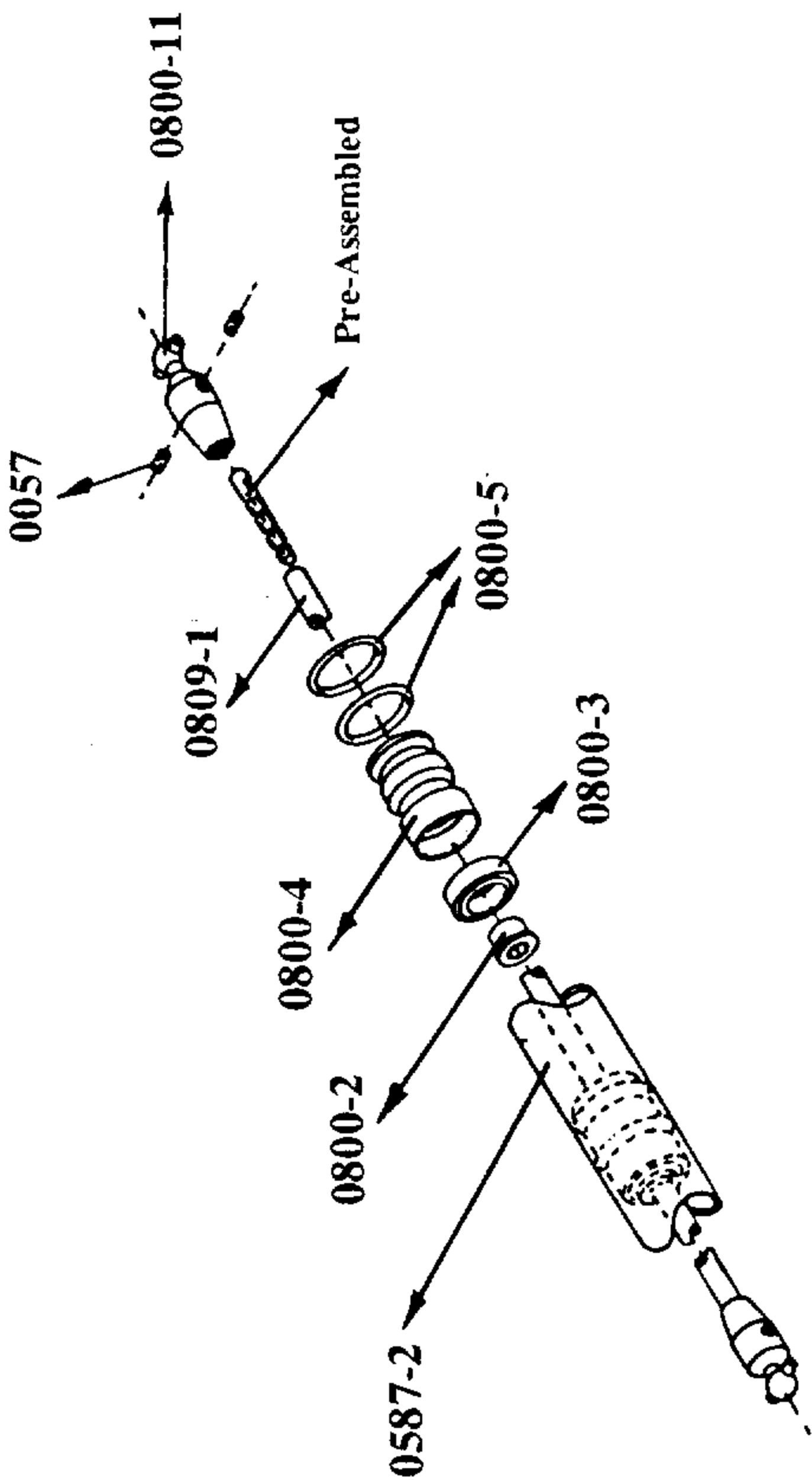


**Figure 7**  
**XCell Graphite SE**  
Part # 1004-100 July 1998

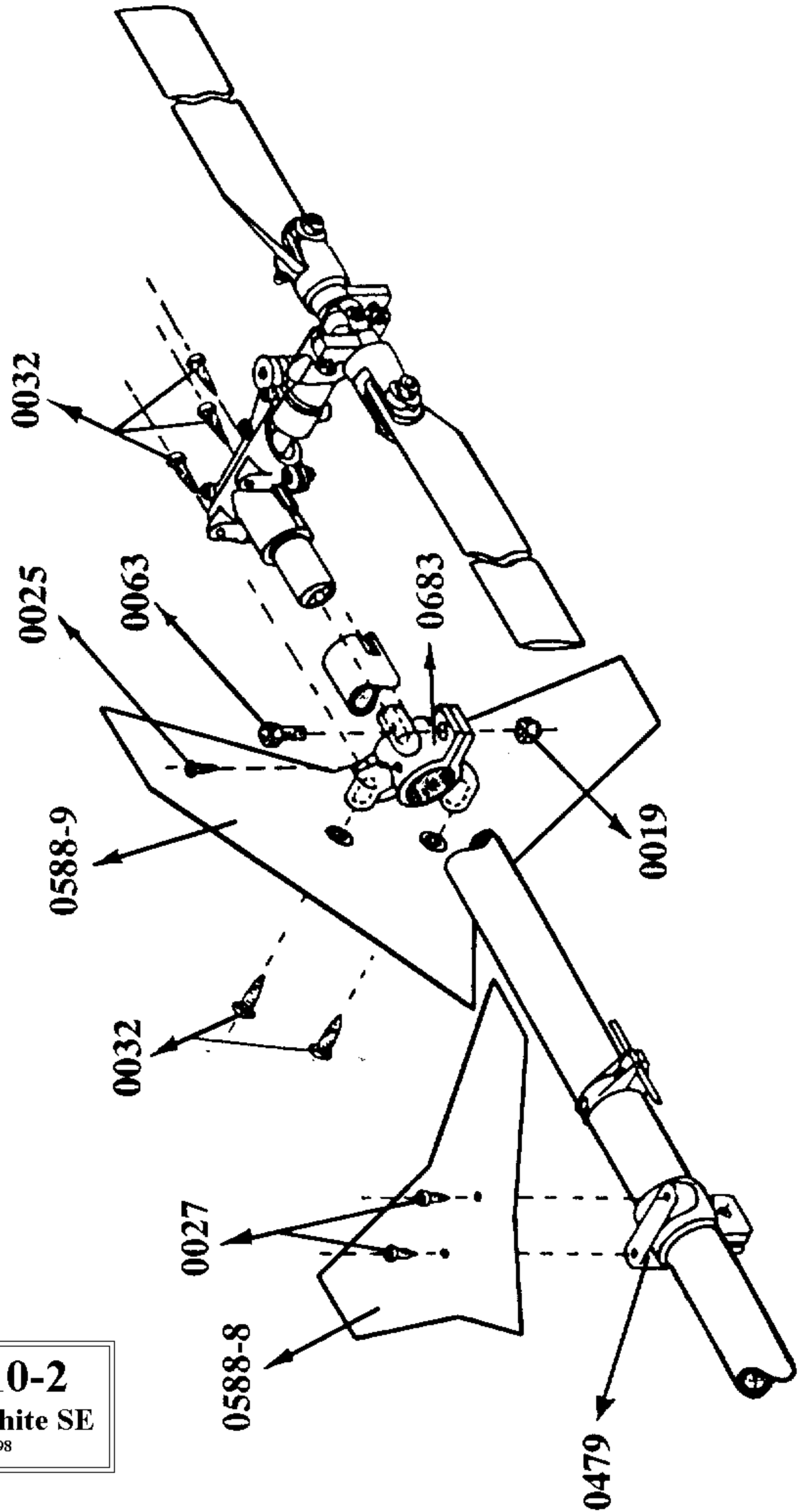


**Figure 8**  
**XCell Graphite SE**  
Part # 1004-100 July 1998



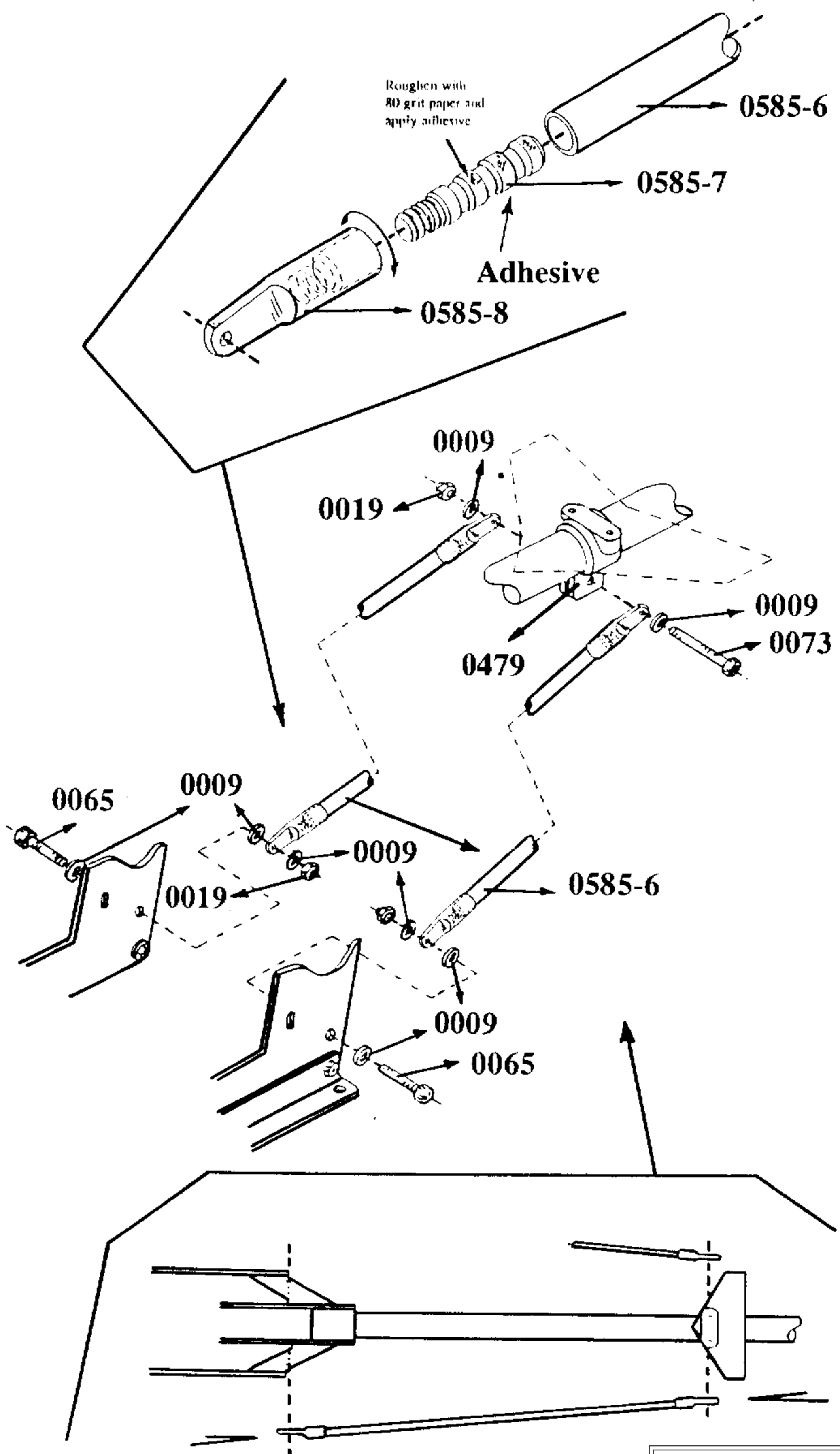


**Figure 10-1**  
**XCell Graphite SE**  
 Part # 1004-100 July 1998

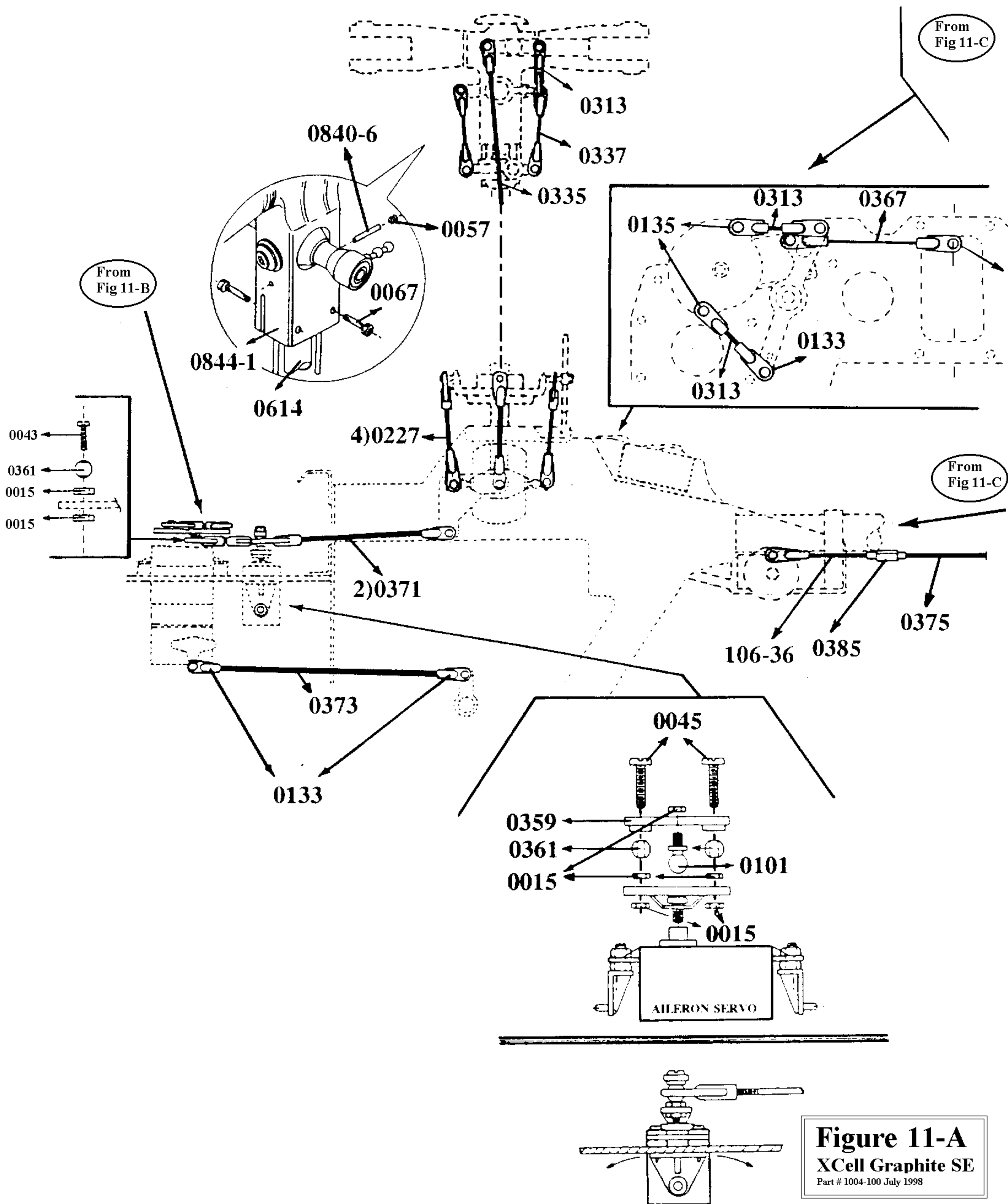


**Figure 10-2**  
**XCell Graphite SE**  
Part # 1004-100 July 1998

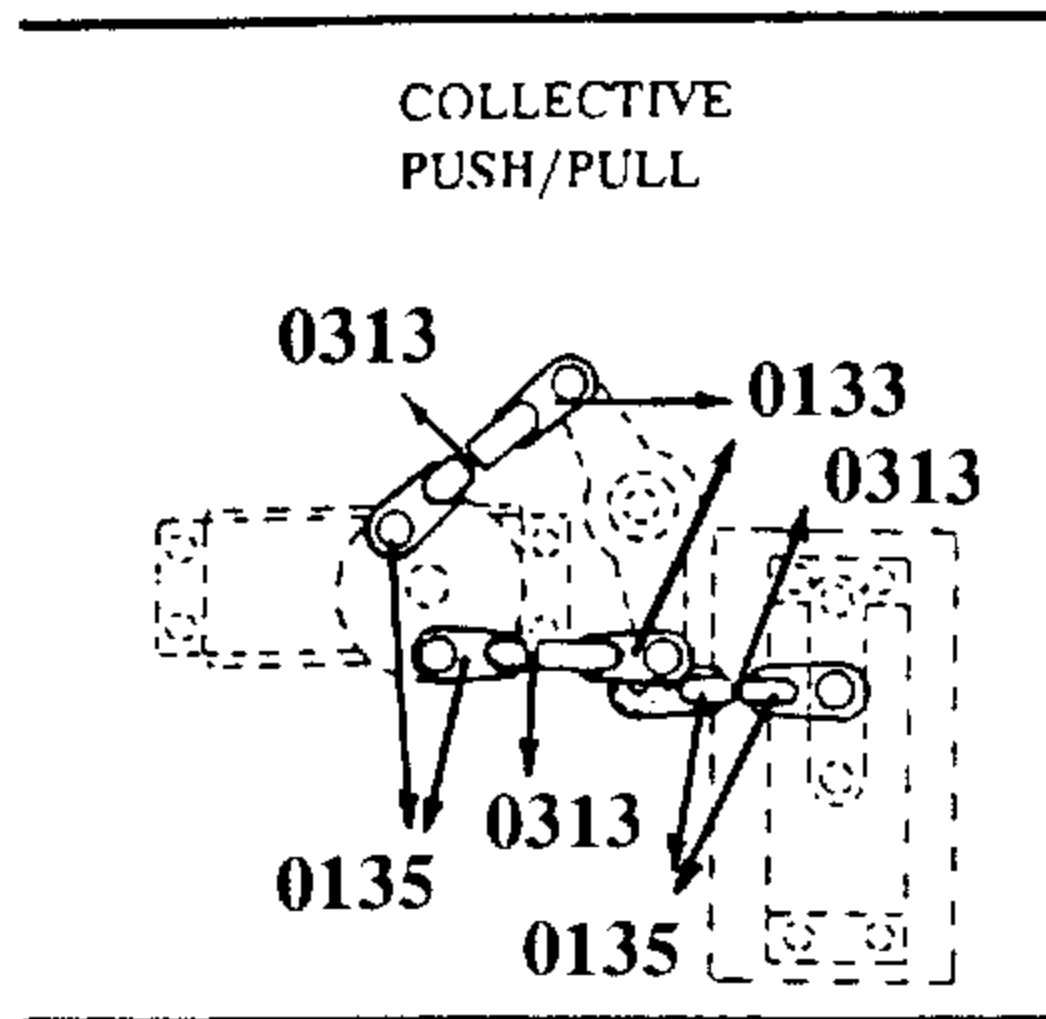
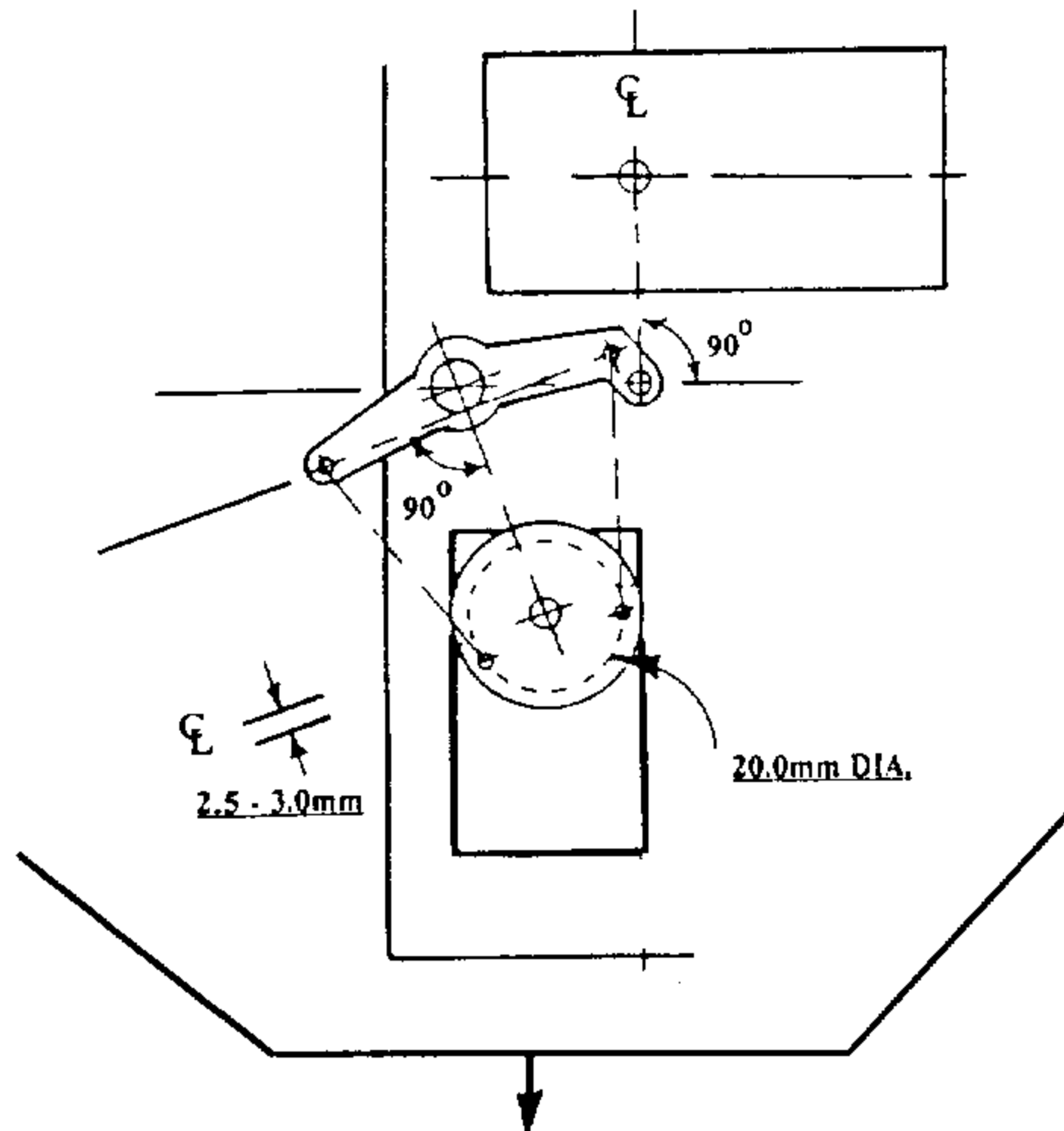




**Figure 10-3**  
**XCell Graphite SE**  
 Part # 1004-100 July 1998

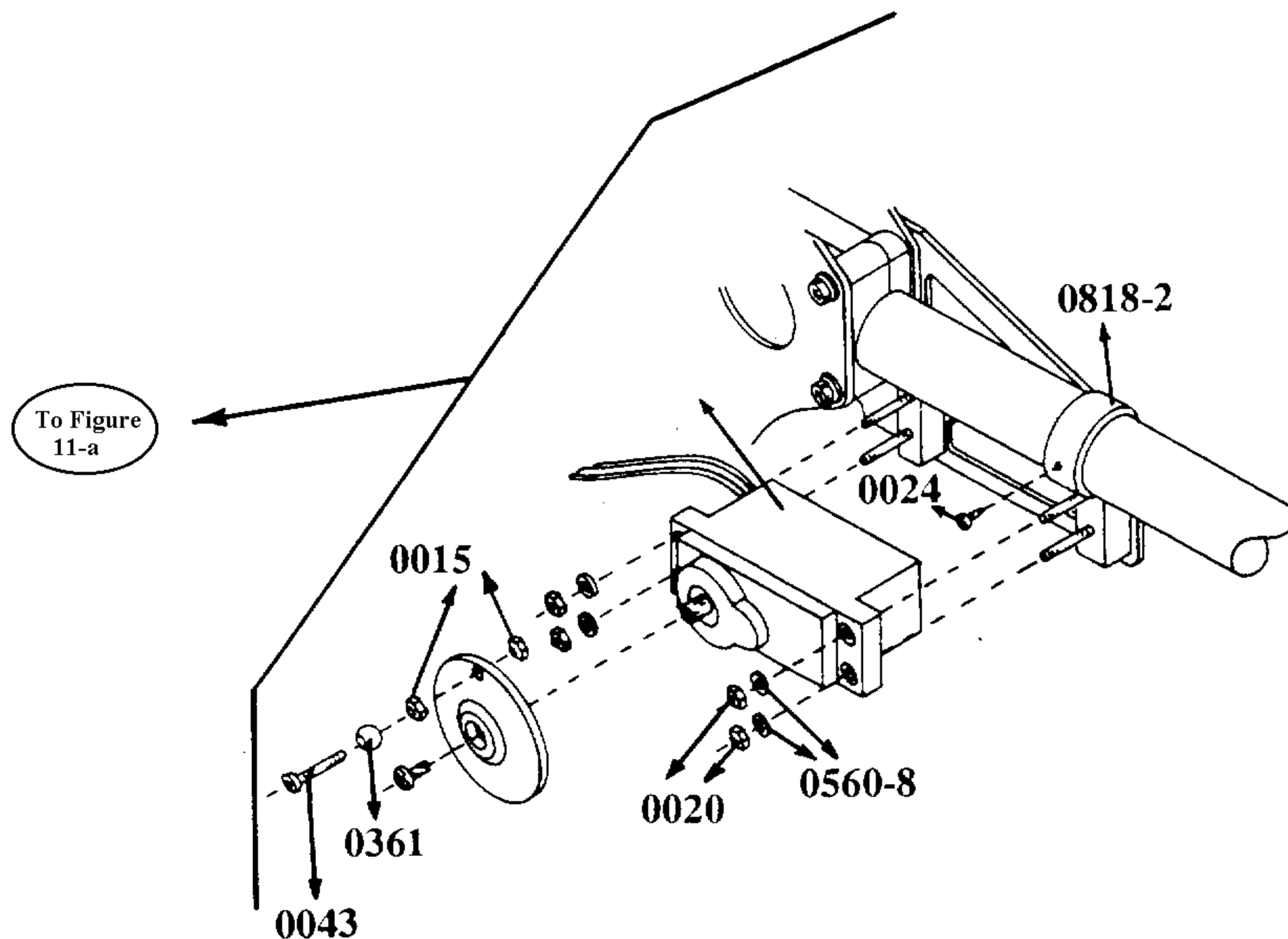
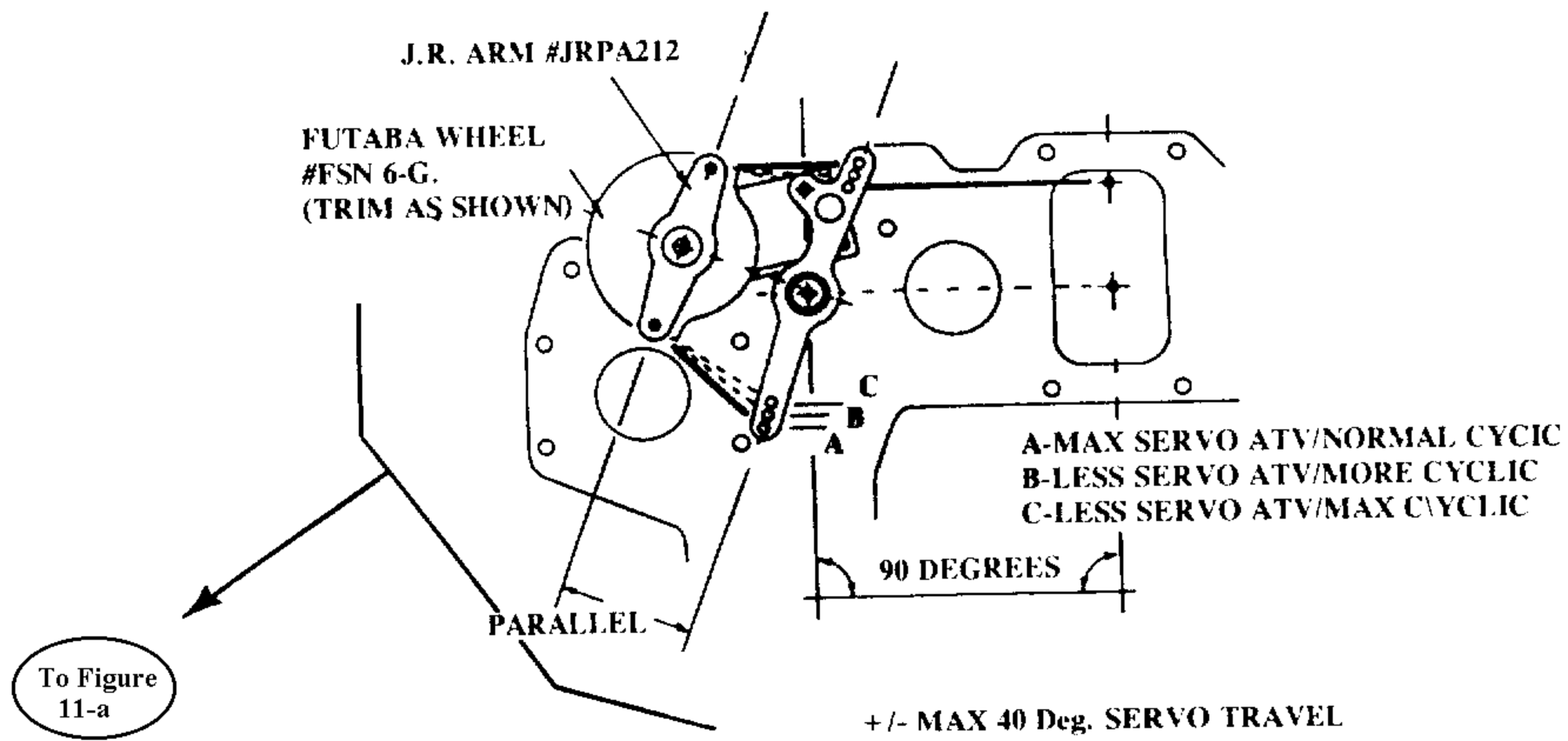


**Figure 11-A**  
 XCell Graphite SE  
 Part # 1004-100 July 1998



To Figure  
11-a

**Figure 11-b**  
XCell Graphite SE  
Part # 1004-100 July 1998



**Figure 11-c**  
XCell Graphite SE  
Part # 1004-100 July 1998

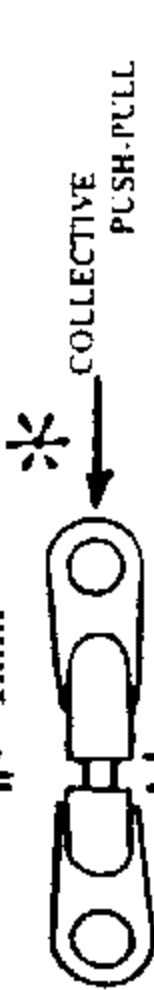
0135

0133



0313

1mm



0313

2mm



0313

4mm



0337

9mm



0227

31mm



0367

34mm



0335

58.0mm

11mm



0371

72mm



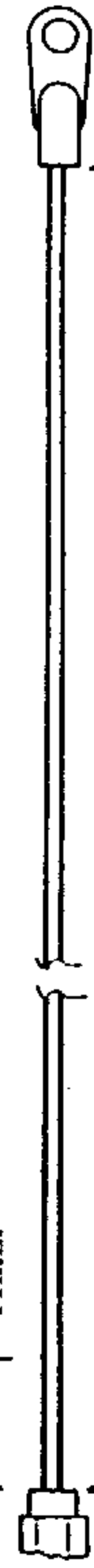
0373

113mm



106-36

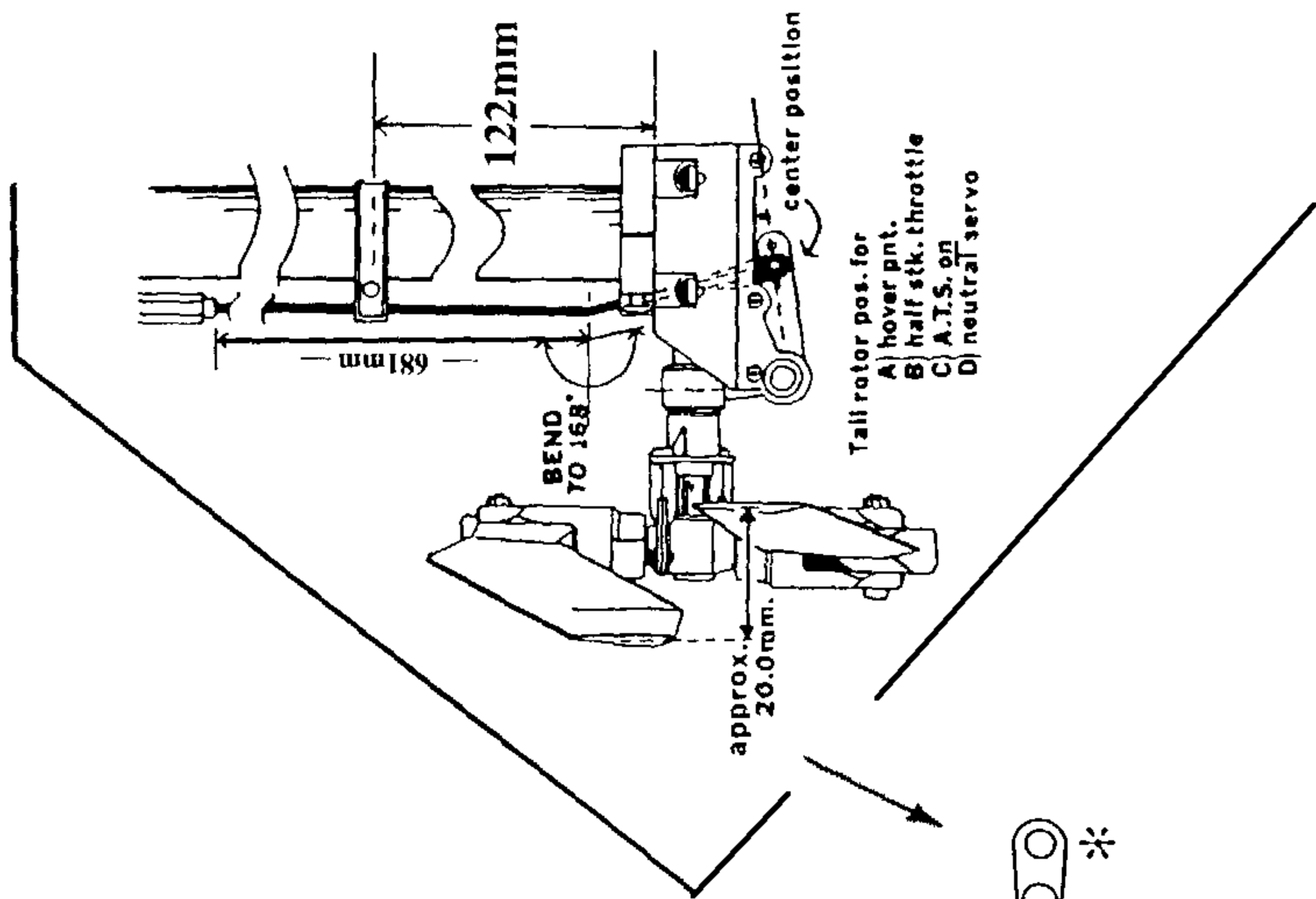
11mm



0375

681mm

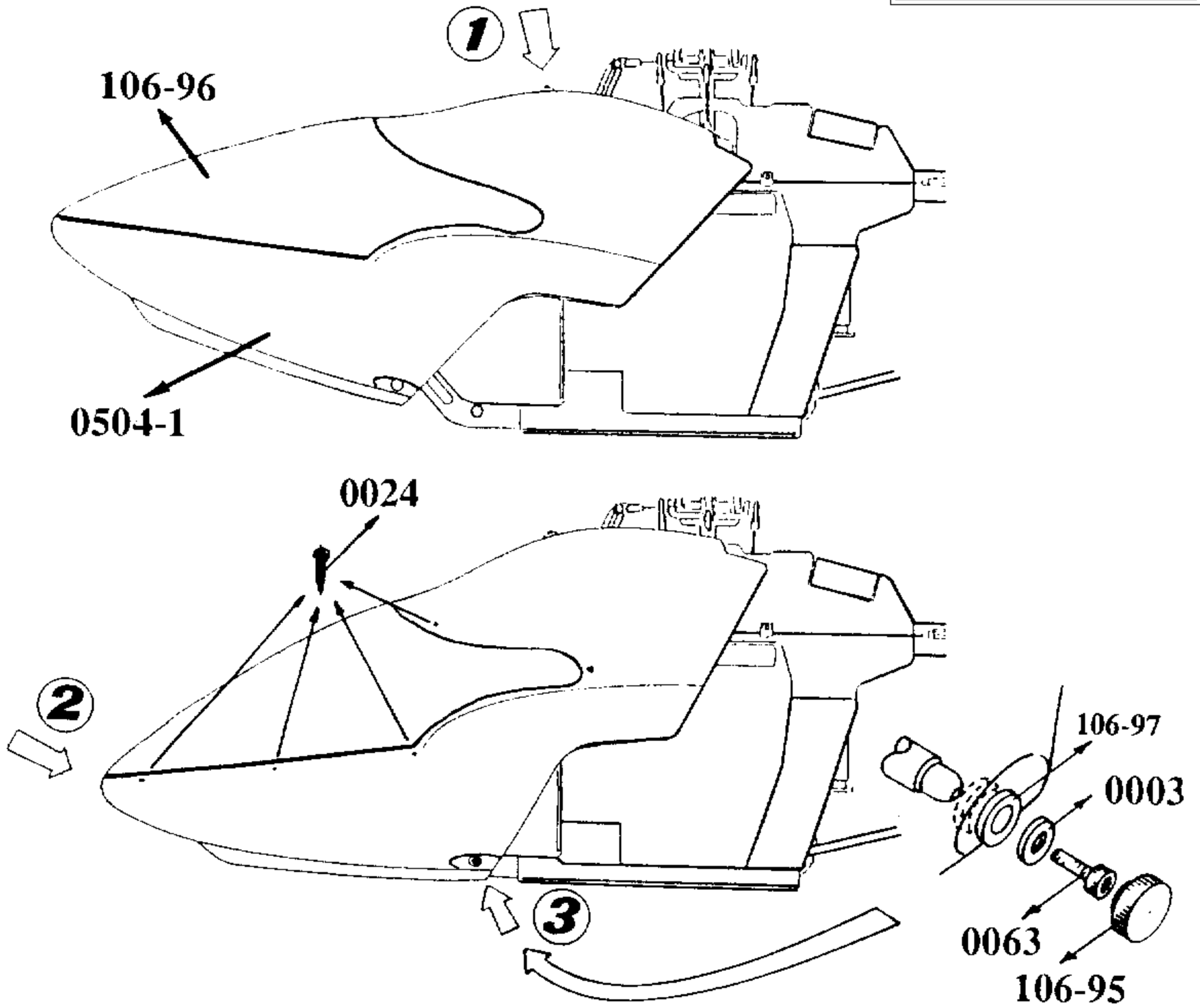
Note: Rod length not to scale

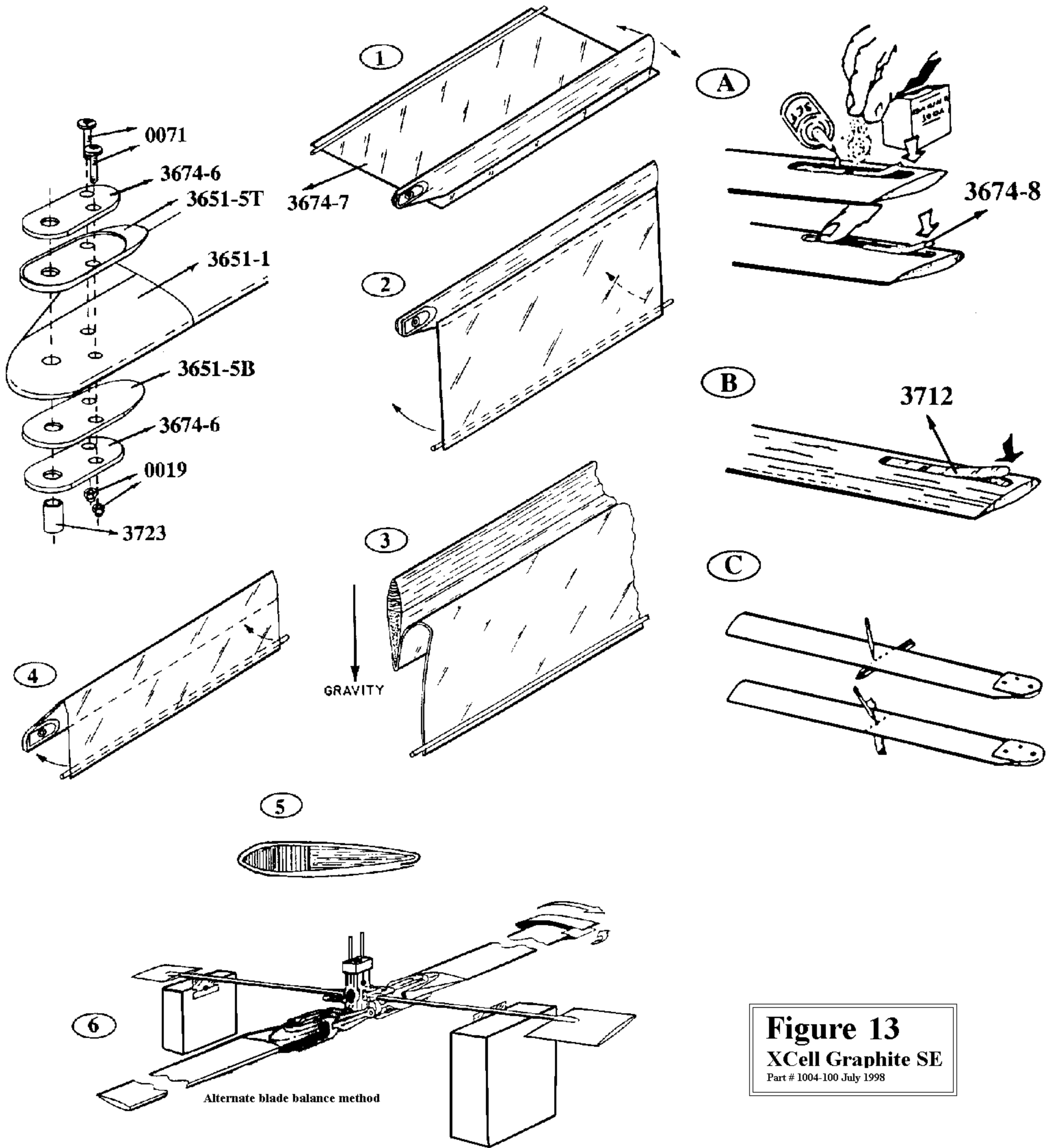


\* Variable with servo choice and position.

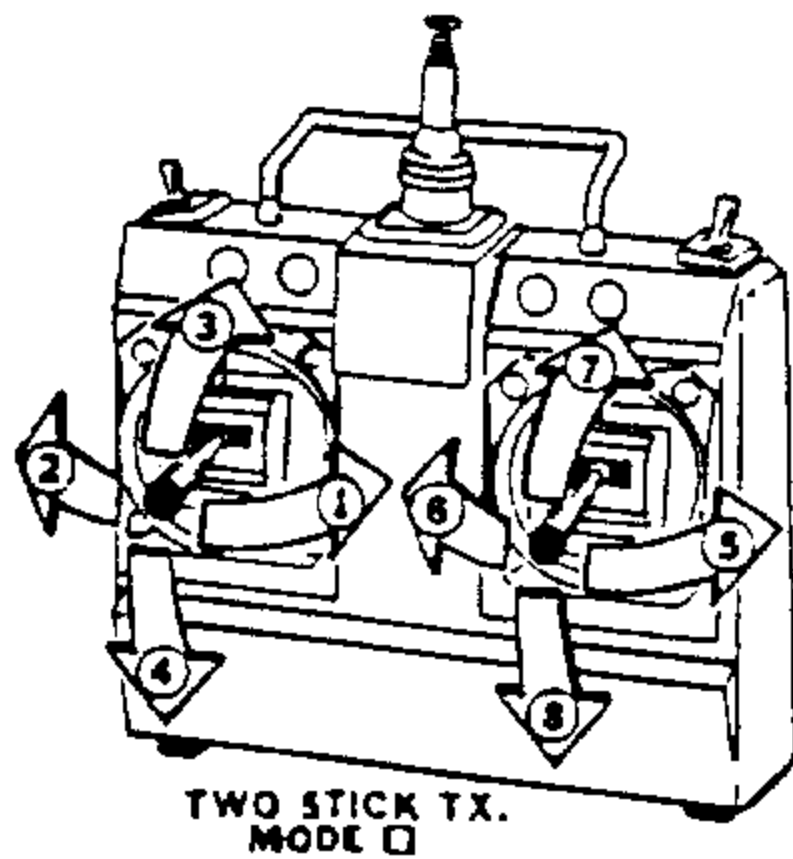
Figure 11-d  
XCell Graphite SE  
Part # 1004-100 July 1998

**Figure 12**  
**XCell Graphite SE**  
Part # 1004-100 July 1998

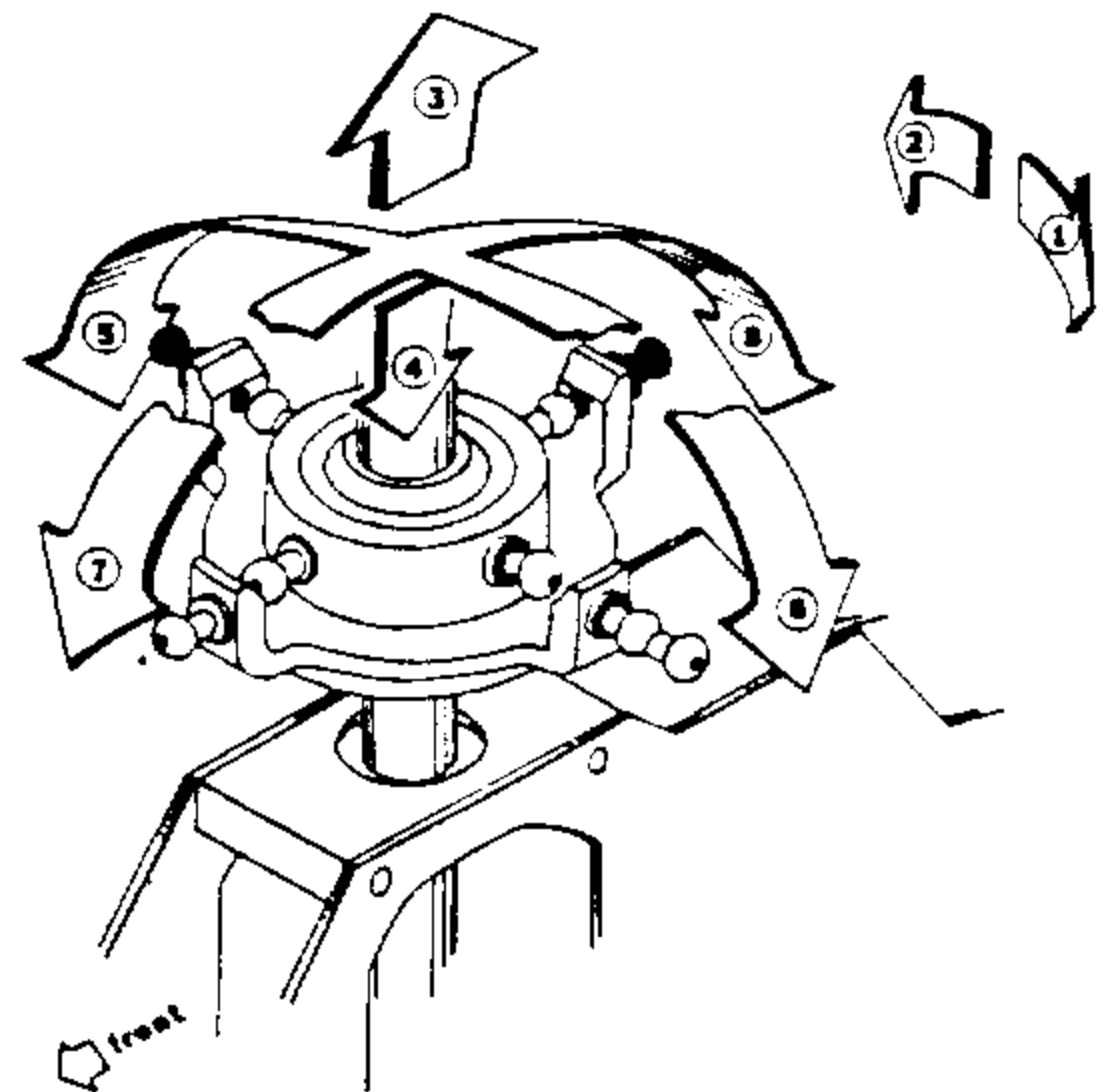




**Figure 13**  
**XCell Graphite SE**  
 Part # 1004-100 July 1998

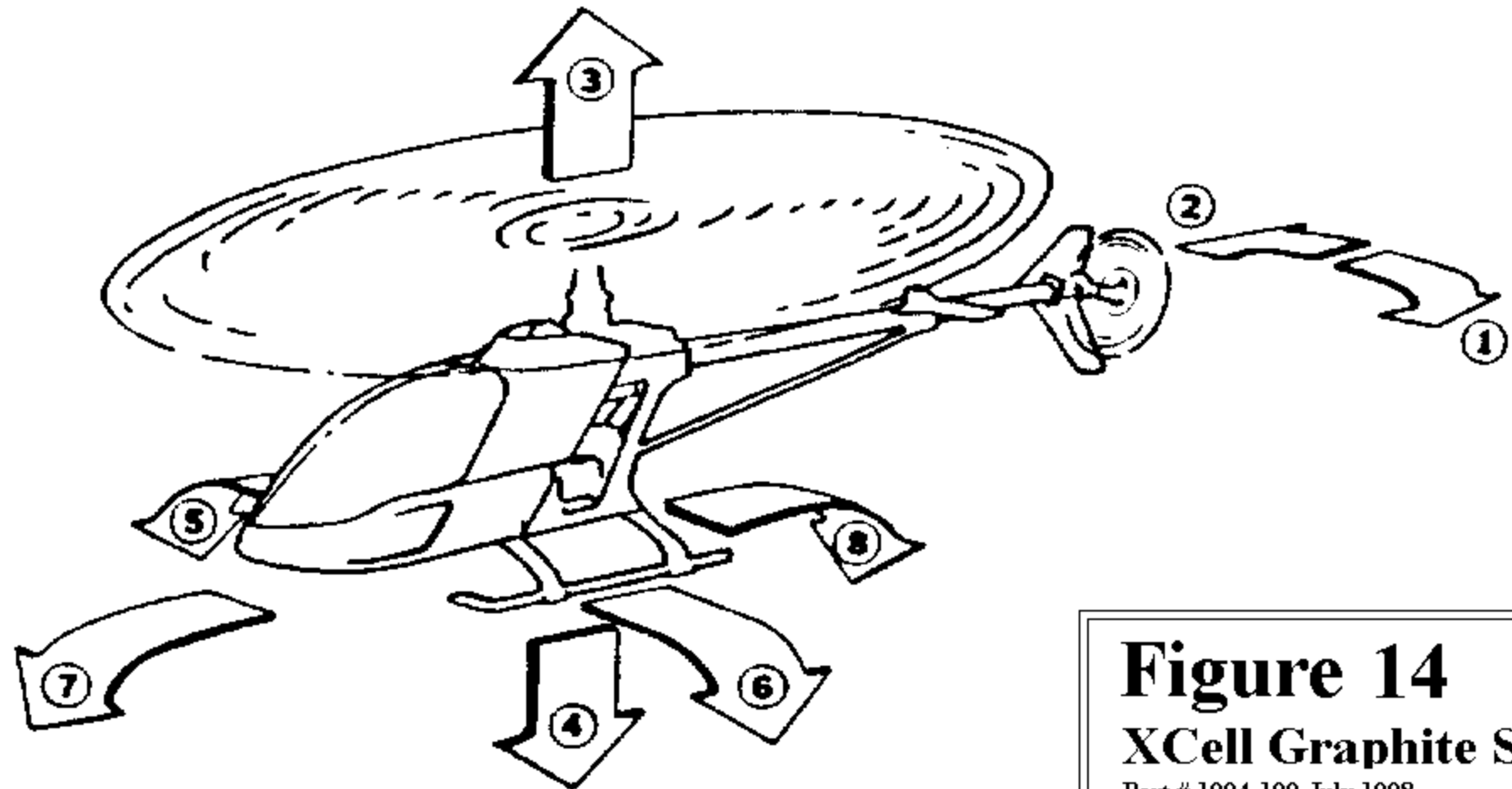


TWO STICK TX.  
MODE II



Basic operation of transmitter sticks. (Mode II Two Stick and Single Stick)

Command Sequence (1) Tailrotor - Right (2) Tailrotor - Left  
 (3) Throttle/Collective - High (4) Throttle/Collective - Low  
 (5) Roll (Aileron) - Right (6) Roll (Aileron) - Left  
 (7) Pitch (Elevator) - Forward (8) Pitch (Elevator) - Rearward  
Corresponding Response (A) Swashplate (B) Flight Altitude



**Figure 14**  
**XCell Graphite SE**  
 Part # 1004-100 July 1998